

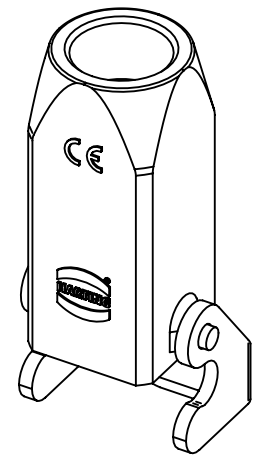
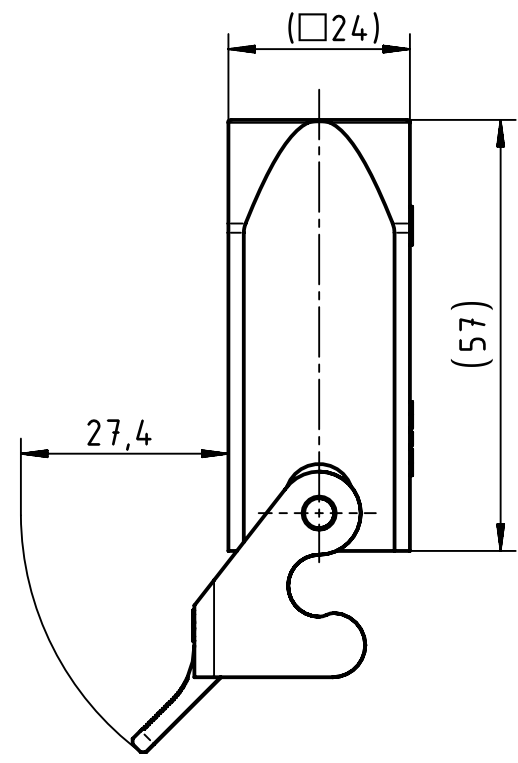
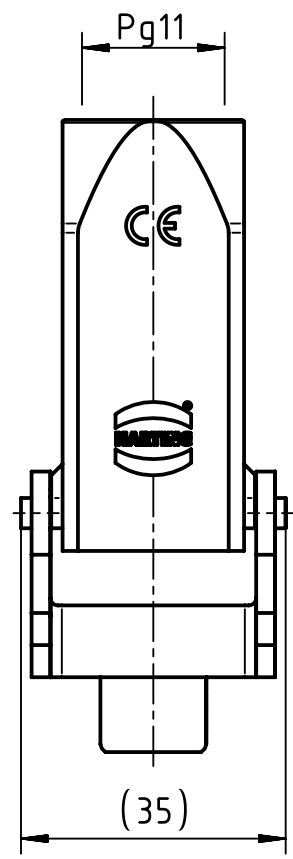
1 2 3 4 5 6

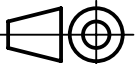

A

B

C

D



 All Dimensions in mm Original Size DIN A4	Scale	Free size tol.		Ref.	
	1:1	ISO 2768-m		Sub.	
 All rights reserved Department EL PD	Created by	Inspected by	Standardisation	Date	State
	402602	PRIESTER	GARSKE	2020-08-31	Final Release
HARTING Electric GmbH & Co. KG D-32339 Espelkamp	Title			Doc-Key / ECM-Nr.	
	Han 3A-HCC/P-DL-1Pg11-grey			100197911/UGD/004/B 500000177399	
Type	Number	Rev.		Page	
TB	09 20 003 0720	B		1/1	