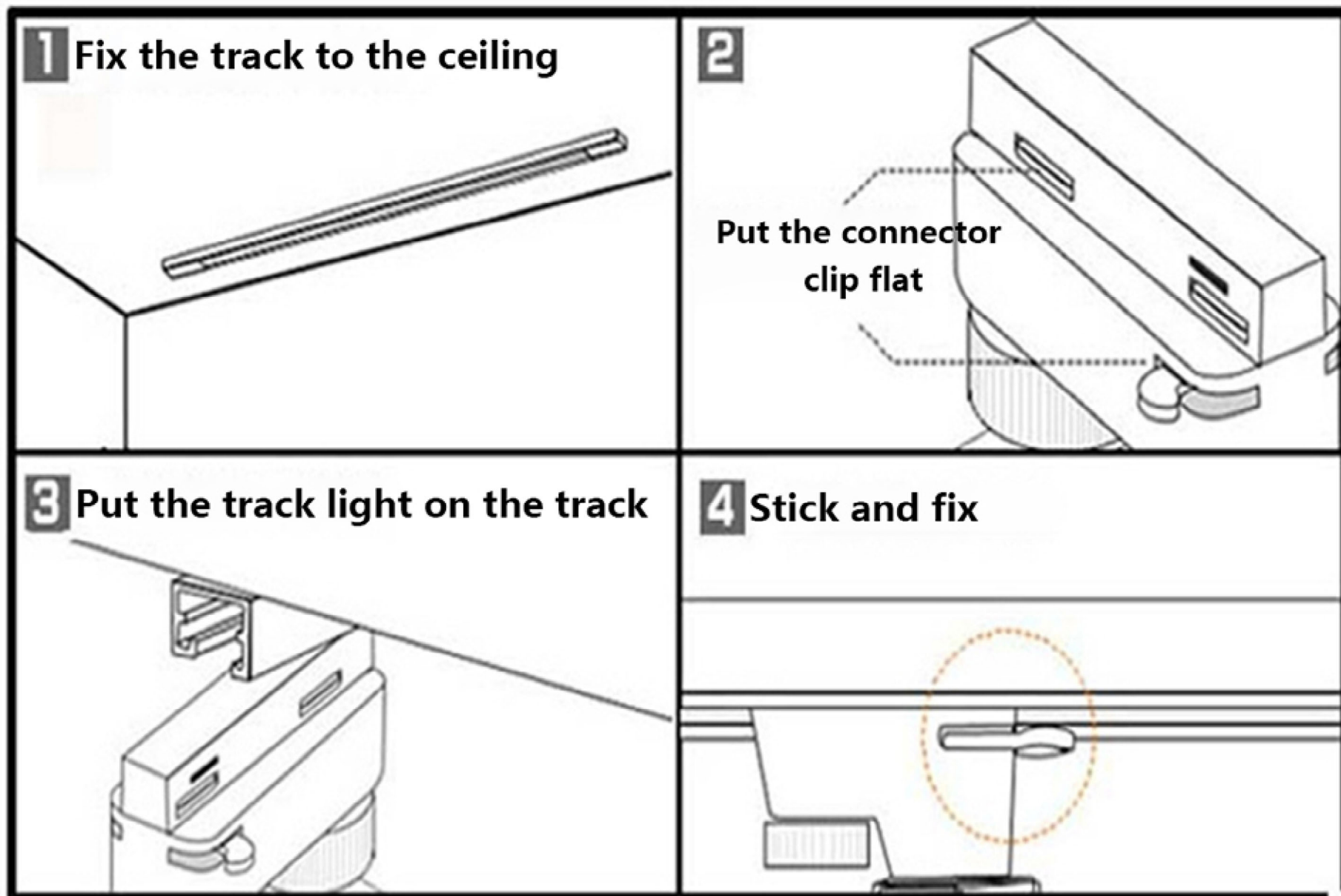


# Two Installation Ways

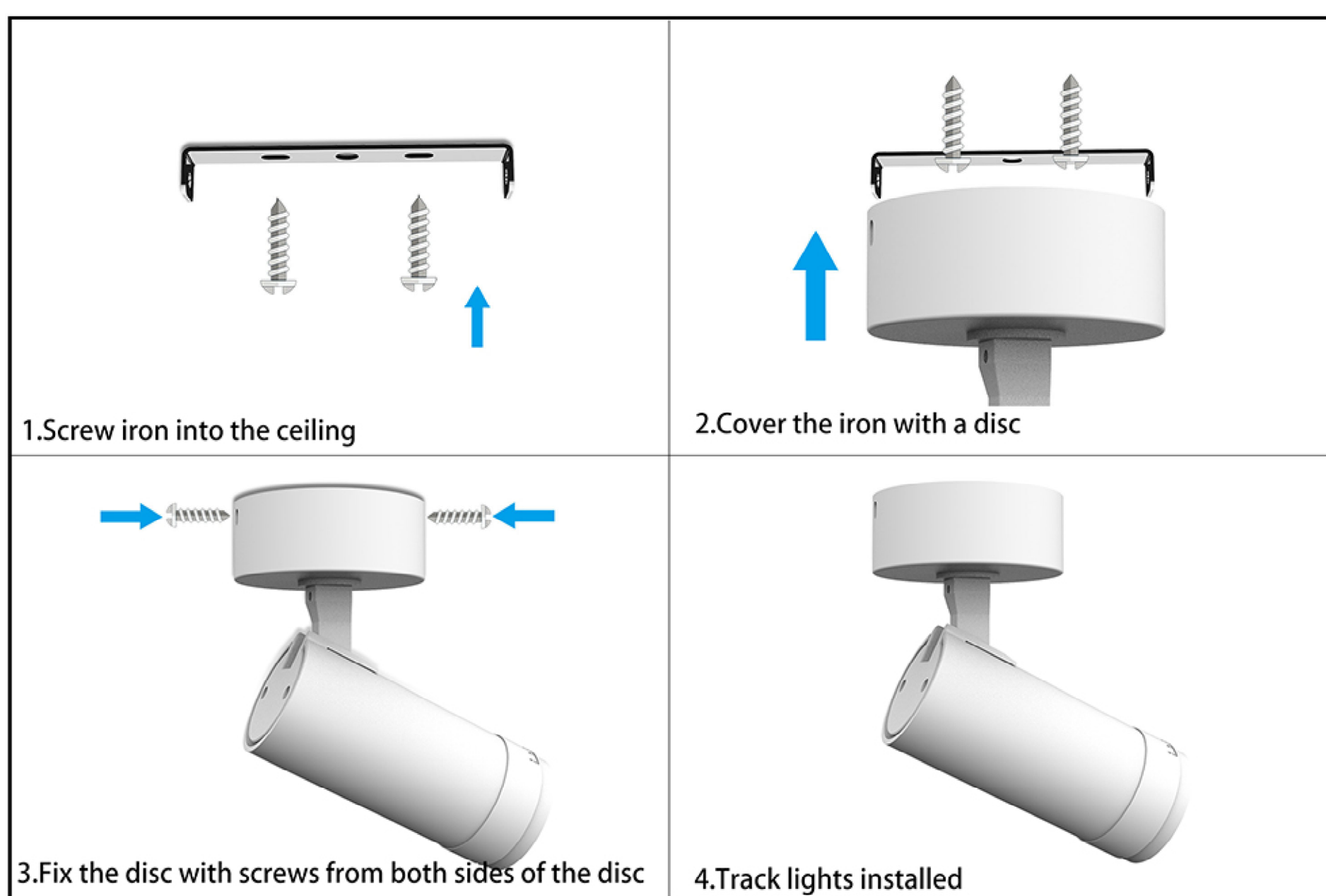
## Track Installation Method



1. First install the track bar on the ceiling: first punch holes, install expansion screws, then place the track bar and lock it with screws (see Fig. A)
2. Clip the rail joint of the rail lamp into the rail slot, and fix the lamp body on the rail (as shown in Figure B)
3. After installation, turn on the power to use (as shown in Figure C)



## Installation method of disc



## Instructions for use of track light track bar

Explain: FireWire Null line Ground wire Not connected				
Gear	Status description	Rail head metal terminal status	Validity status of rail head terminal	Schematic diagram
[OFF]	L1 OFF L2 OFF L3 OFF			
[1]	L1 ON L2 OFF L3 OFF			
[2]	L1 OFF L2 ON L3 OFF			
[3]	L1 OFF L2 OFF L3 ON			

## Installation Notes

- This product is designed to be IP20, avoid use in environments beyond this range
- Use within the safe voltage range of the product, otherwise it will affect the life of the product until the product is damaged
- Please do not cover flammable items to avoid fire due to overheating of lamps
- Please make sure that the LED lamp is correctly and safely installed on the lamp holder (danger of falling)
- Before installing the lamp, first cut off the power to avoid electric shock
- LED lights cannot be cleaned or disassembled, modified, and spare parts are not interchangeable. In special cases, please dismantle and clean them for professional operation