

# Operating instructions

III / 2008

## DALI Repeater LI



001240508GB

ZPE 2433444

OSRAM GmbH  
Customer-Service-Center (CSC)  
Steinerne Furt 6286167 Augsburg, Germany

Tel. : (+49) 1803 / 677 - 200 (charges apply)  
Fax.: (+49) 1803 / 677 - 202

[www.osram.com/ecg-lms](http://www.osram.com/ecg-lms)  
[www.osram.de/evg-lms](http://www.osram.de/evg-lms)

## Contents

<b>General</b>	Application and function .....	2
	Safety information .....	2
<b>Installation</b>	Design and dimensions .....	3
	Wiring schemes .....	3
<b>Operation</b>	DALI operation with supervisory control unit .....	5
	<i>Touch DIM</i> operation .....	5
	Functional test .....	6
	Service button .....	6
	Indication LED .....	7
<b>Appendix</b>	Accessories (not included) .....	8
	Technical data .....	8

## Application and function

The DALI REPEATER LI allows to built up DALI systems with more than 64 ECG per DALI line. For the supervisory control unit it acts like a single ECG. On the other hand it is able to control up to 64 DALI ECG. All ECG connected to the DALI REPEATER LI are set to the same dimming level. Switching state, dimming level and lamp failures can be queried via the Repeater. At the same time it allows the extension of the DALI line by 300 m each time.

If the Repeater is used in Touch DIM operation, up to 64 DALI ballasts can be controlled by means of a common push button. The DALI REPEATER LI is designed for luminaire integration. With the LMS CI BOX an independent mounting, e.g. for recessed ceiling installation, is suitable.

## Safety information

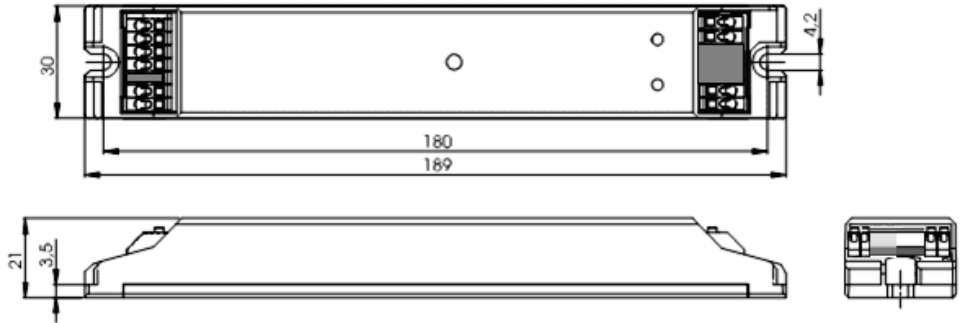


*The following information is provided for your safety:*

- Please read these operating instructions carefully before installing and using the DALI REPEATER LI. This is the only way to ensure that you use the equipment safely and correctly. Keep these operating instructions in a safe place for future reference. You should make sure that everyone who uses DALI REPEATER LI has read these operating instructions.
- DALI REPEATER LI may only be installed by qualified personnel who have been appropriately trained and who have the relevant authority. The installation personnel must be familiar with the operating instructions. Power must be switched off before any work is undertaken on the unit.
- The DALI REPEATER LI is especially designed for installation within luminaries, an independent installation is only allowed in combination with the mounting kit LMS CI BOX.
- The relevant safety and accident prevention regulations must be observed.
- The Touch DIM operation must not be used in parallel to operation with a DALI control unit. Only DALI or Touch DIM operation is allowed.
- The external switch for the Touch DIM operation must be designed for mains voltages.
- If the DALI output is wired with external voltage, particularly with a mains voltag, the unit may be destroyed.

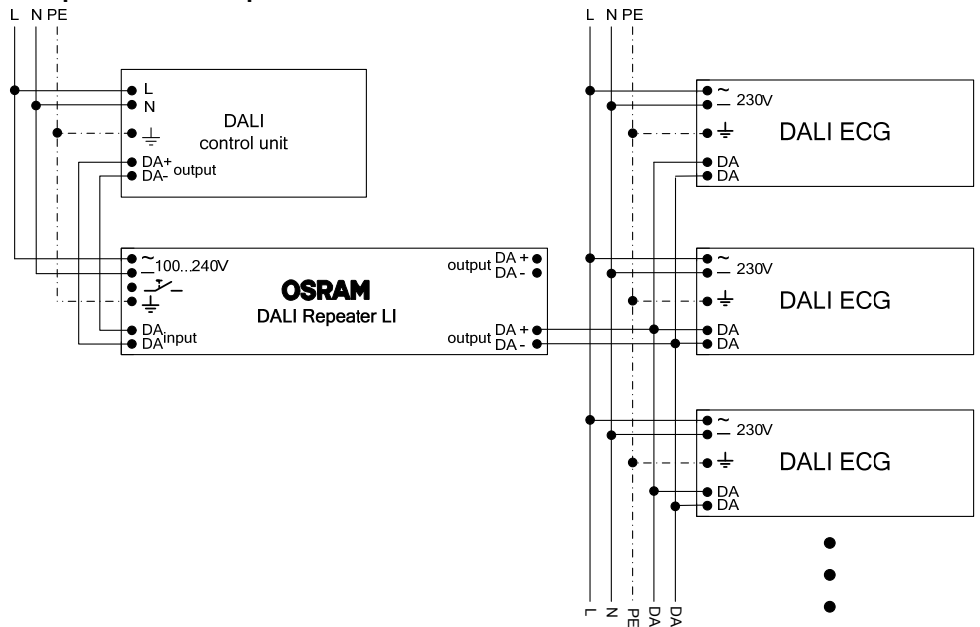
# Installation

## Design and dimensions



## Wiring schemes

### 1. Repeater in DALI operation:

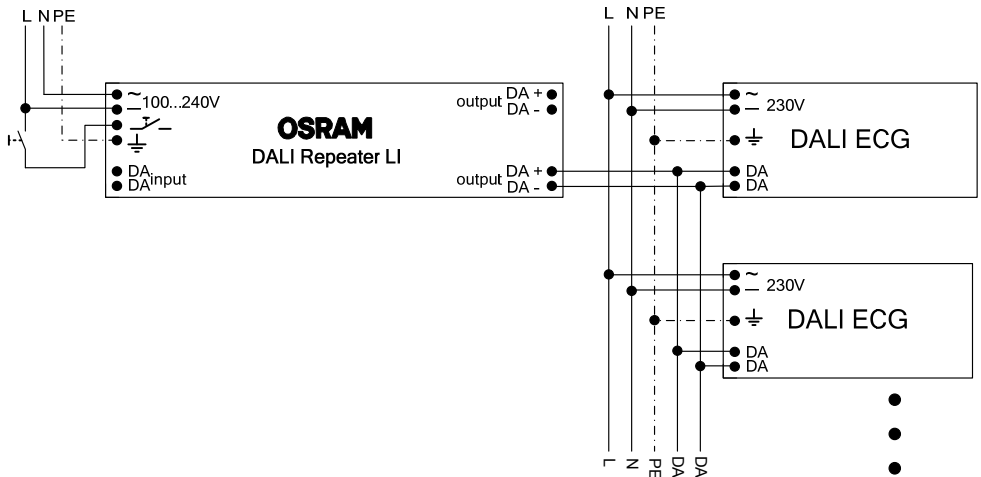


### Hints:

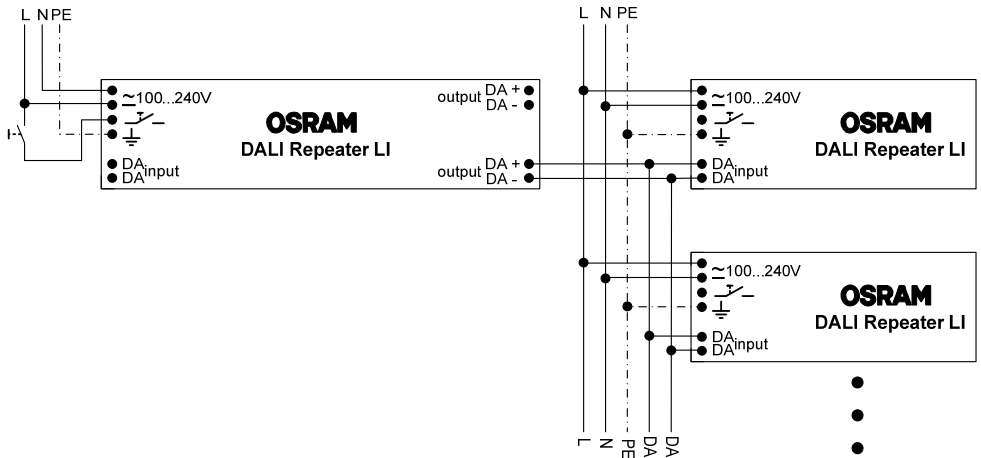
- Further DALI devices may be connected to the DALI control unit, e.g. DALI ECG or further repeaters. For maximum number of DALI devices please refer to the instructions of the control unit.
- Maximum wire length at the output of the DALI Repeater is 300 m (in total over both outputs).
- Both outputs of the DALI Repeater LI are electrically interconnected. To simplify the connection the layout is done by pairs.
- Outputs of different Repeaters may not be interconnected with each other.
- In total over both outputs a maximum number of 64 DALI ECG or DALI REPEATERS may be connected.

# Installation

## 2. Repeater in Touch DIM operation for up to 64 ECG:



## 3. Repeater in Touch DIM operation for up to 64 x 64 EVG:



### Hints:

- In Touch DIM operation the DALI input terminals must not be connected.
- The maximal overall wire length at the push button input should not exceed 100 m. Further points of control can be achieved by parallel connection of several push buttons. Push buttons with glow indication lamps in parallel to the push to make contact are inapplicable.
- Both outputs of the DALI Repeater LI are electrically interconnected. To simplify the connection the layout is done by pairs.
- In total over both outputs a maximum number of 64 DALI ECG or DALI REPEATERS may be connected.

## DALI operation with supervisory control unit

### Before starting up the DALI control unit the DALI Repeater should be initialised as follows:

- Initialise is started by pressing the integrated "service" button of the DALI REPEATER LI for at least 0.5 s.
- During initialise process the highest minimal dimming level of the connected DALI devices is detected and stored. During this process the LED will flash in yellow.

The DALI REPEATER LI supports all addressing and commissioning methods offered by the DALI standard. Independently from the connected device types at the output, the Repeater will identify itself and detected by the control unit as ballast for fluorescent lamps.

If the address assignment is done by the "PHSICAL SELECTION" method, please press the service button or cause a lamp fail at one of the connected ballasts when the procedure of the control unit requires that.

### Hints to the DALI operation:

- All devices connected to the outputs will always act synchronous in broadcast mode. No addresses are assigned at the output side.
- Please follow the instructions of the control unit connected to DALI input of the Repeater.

*Please see also "Indication LED" and "Service button".*

## Touch DIM operation

### Before first manual operation the DALI Repeater should be initialised as follows:

- Initialise is started by pressing the integrated "service" button of the DALI REPEATER LI for at least 0.5 s.
- During initialise process the highest minimal dimming level of the connected DALI devices is detected and stored. During this process the LED will flash in yellow.

After that, please **perform a long push** (> 0,5 0s) to one of the connected push to make buttons. The DALI REPEATER LI will be switched over from DALI to *Touch DIM* operation by this.

### Touch DIM-operation in brief:

- Switch on/off : Short press to the connected push button (< 0,5 s)
- Dimming: Long press (> 0,5 s)  
(Dimming direction will change with every long press)
- Store memory value: Double click: 2 short presses within 0,4 s when the lamps are **switched on**.
- Delete memory value: Double click: 2 short presses within 0,4 s when the lamps are **switched off**.

### Hints to the Touch DIM operation:

- When the lamps are switched off a long press will cause that the lamps are switched on and dimmed up until the button is released or the maximum brightness is reached.
- If the maximal or minimal brightness is reached the dimming process is stopped. A change of dimming direction will be performed not before the button is released and pressed again.
- If the memory value is deleted, the last dimming level before switch off is recalled when the lamps are switched on by a short press.

*Please see also "Indication LED" and "Service button".*

## Functional test

The functional test allows checking proper operation of all DALI devices connected to the output:

With every short push (< 0.5 s) on the integrated "Service" button of the DALI REPEATER LI the switching state is toggled between on (max. brightness) and off. Please ensure that all connected DALI devices react correspondingly. Approximately 5 s after the last „Service“ button press, the DALI REPEATER LI return to normal operation automatically.

As long as the functional test is active the indication LED of the repeater flashes alternating between green and yellow.

## Service button

The integrated service button of the DALI REPEATER LI provides following functionality:

- During initialise process the highest minimal dimming level of the connected DALI devices is detected and stored. It is started by pressing the integrated "service" button for at least 0.5 s.
- Physical selection during address assignment, by a short press (< 0.5 s) on the service button.
- Activation of the functional test, by a short press (< 0.5 s) on the service button during normal operation.

### Hint:

Physical selection is used/supported by some control units only, for details please refer to the operation instructions of the corresponding control unit.

# Operation

## Indication LED

Within the subsequent table all possible states of the LED are listed and their meaning is described.

LED state	Meaning	Cause
green	Normal operation	
flashing green/yellow	Testing function active	Testing function was activated by a short press on the service button.
flashing red/green	No DALI device at the output detected	Broken wire connection at the output side or interruption of mains supply of the connected DALI devices.
yellow	Lamp failure	At least one of the connected DALI devices is indicating a lamp fail.
flashing yellow	Initialising (detection of highest minimal dimming level)	Initialise process was started by a long press on the service button.
flashing red	Overload	More than 64 DALI devices were connected to the output.
red	Short cut	A short cut at the DALI output is detected.

## Accessories (not included)



**LMS CI BOX**  
Independent mounting of  
DALI Repeater LI  
**4008321083692**



**Touch DIM RC**  
Radio receiver for wireless control of  
up to 2 repeaters  
**4008321031938**



**Touch DIM WCU**  
2-channel wall mounted transmitter\*  
for Touch DIM RC  
**4008321032737**



**Touch DIM RMC**  
4-channel handheld transmitter\*  
for up to 2 Touch DIM RC  
**4008321183033**

\*Maintenance free battery less EnOcean® transmitter technology (inductive power generation)

## Technical data

<b>Designation:</b>	DALI REPEATER LI
<b>Supply voltage:</b>	100 ... 240 V, 50 ... 60 Hz or DC
<b>Power consumption:</b>	Depends on number of connected DALI devices, max. 4 W
<b>Control input:</b>	DALI acc. IEC 62386-102/-201
<b>DALI output:</b>	max. 64 DALI ECG respectively max. 130mA
<b>Wire cross section:</b>	0.5 ... 1.5 mm <sup>2</sup>
<b>Ambient temperature:</b>	0 ... + 50 C
<b>Type of protection:</b>	IP 20
<b>Protection class:</b>	I
<b>CE requirements:</b>	EMC acc. EN 61547, EMC acc. EN 55015, safety acc. EN 61347-2-11
<b>Dimensions:</b>	189 x 30 x 21 mm (l x w x h)

**CE** The CE symbol signifies compliance with the relevant EU Directives.