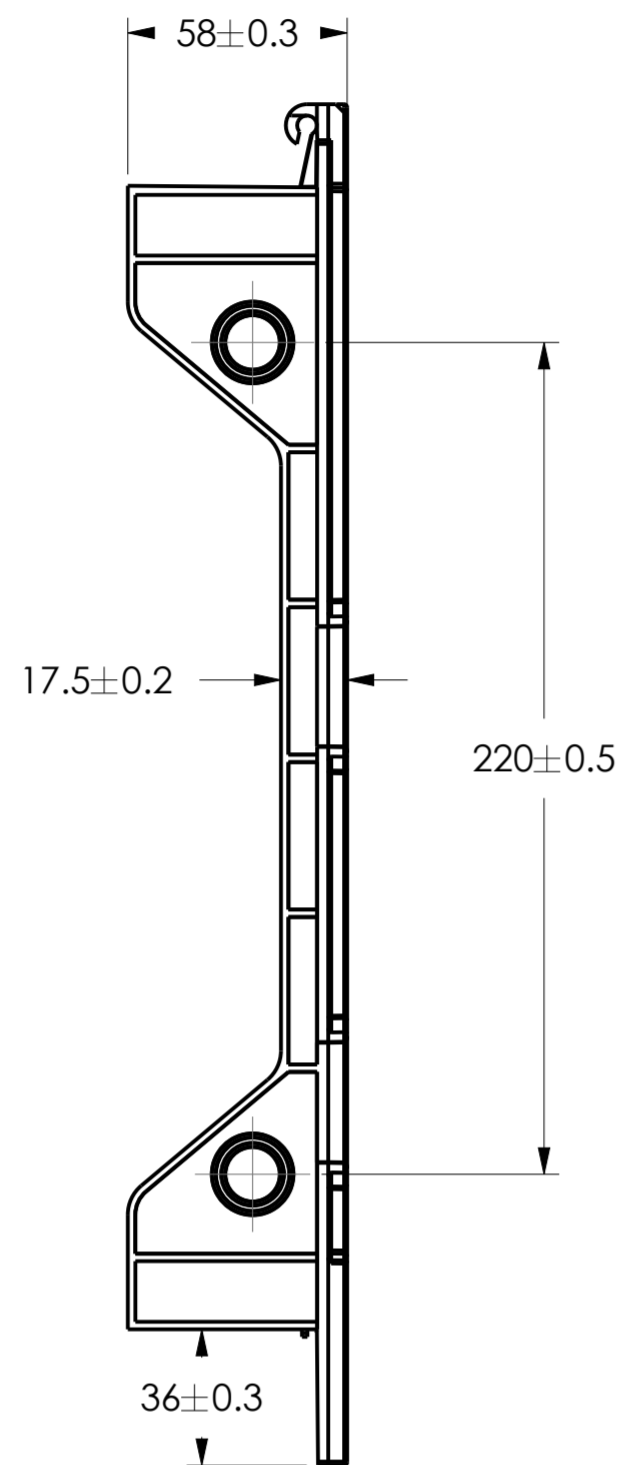
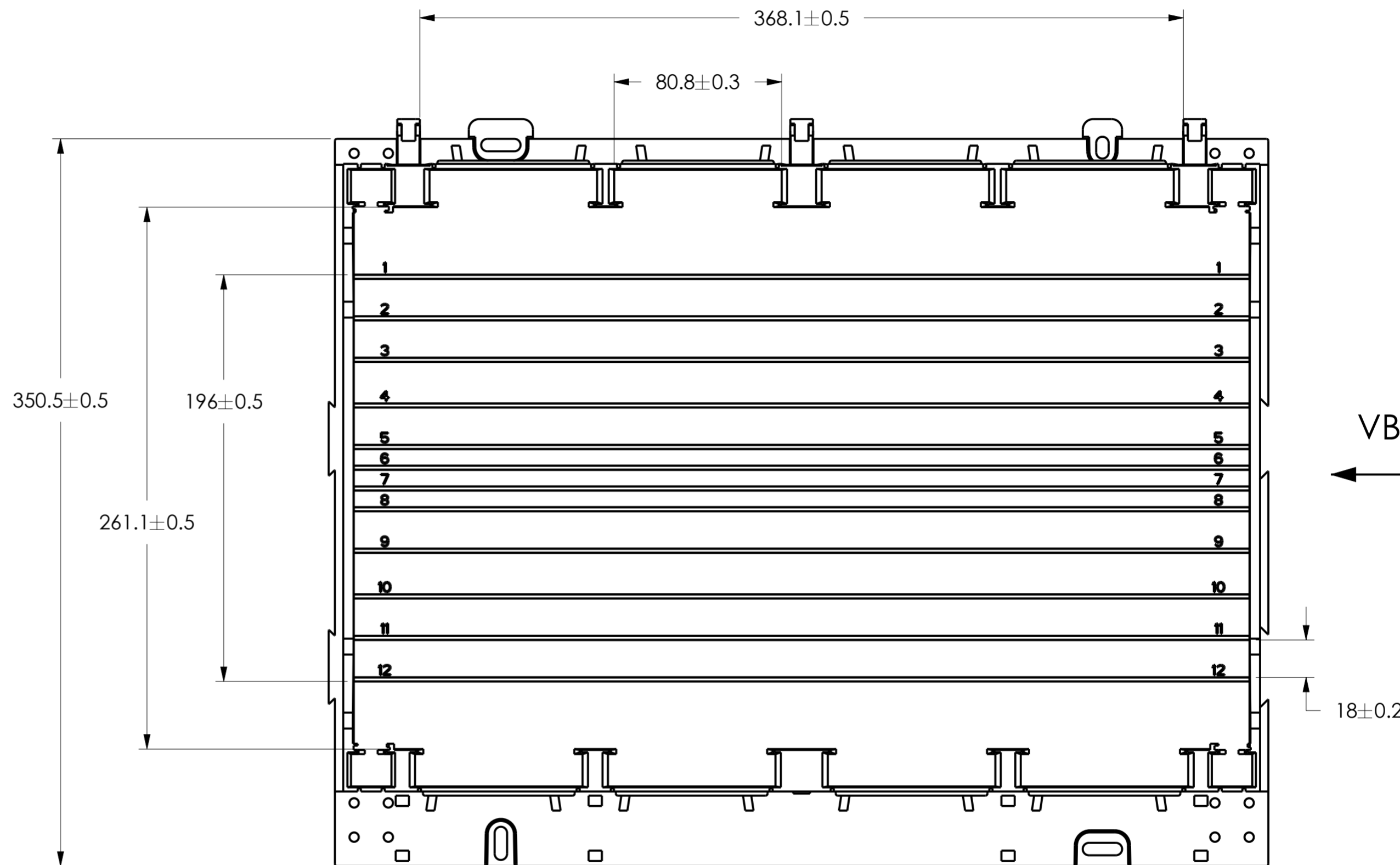


| CURRENT REVISION | | |
|------------------|-------------------|-----------------------|
| REV | BY | DATE |
| | Niżnikowski Piotr | 23-Mar-17 10:59:21 AM |

VIEW VB

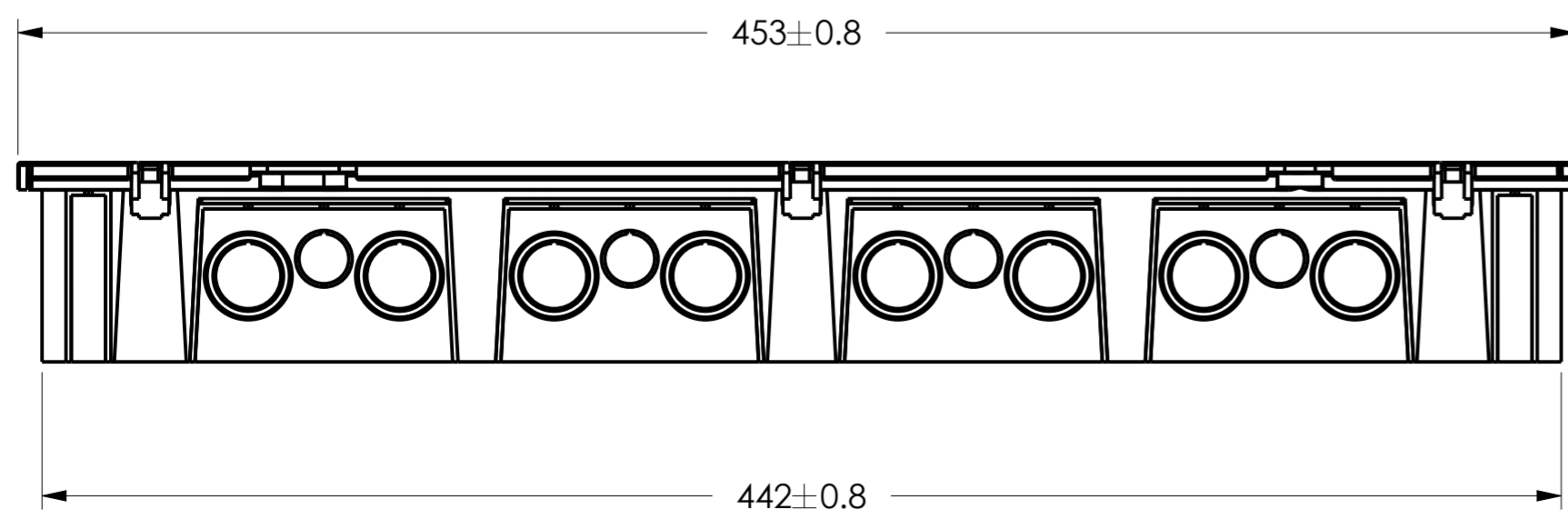


VA



VB

VIEW VA



| | | | |
|---|---|--|---|
| STANDARDS APPLIED: CORNING: 0000117915-EN ISO 2768-mK | | CREATED BY Niżnikowski Piotr | CORNING Corning Optical Communications Stryków, PL |
| | | DATE CREATED 23-Mar-17 10:59:21 AM | |
| CLASSIFICATION: Corning Restricted Controlled Content (R2) None | ITEM 1 2 QTY. | SCALE 1/2 | UNITS A2 |
| <small>LEGAL NOTICE: TRADE SECRETS AND/OR CONFIDENTIAL/PROPRIETARY INFORMATION OWNED BY CORNING IS CONTAINED HEREIN AND MAY NOT BE DISCLOSED, USED, DUPLICATED OR DISTRIBUTED WITHOUT CORNING'S PRIOR WRITTEN CONSENT. YOUR FAILURE TO PROTECT CORNING'S TRADE SECRETS AND/OR CONFIDENTIAL/PROPRIETARY INFORMATION MAY RESULT IN YOUR LIABILITY FOR ALL RESULTING DAMAGES AND LOSSES.</small> | SHEET 1 OF 1 | DESCRIPTION GEN III Gf-AP Housing Base Size XL | |
| | MATERIAL ANJAFAM PC/ABS 050/855 FR/UV | VOLUME | DOCUMENT NUMBER C46166-K0010-C192-001 |
| | FINISH None | PAINT None | |

DWG-NO
C46166-K0010-C192-001