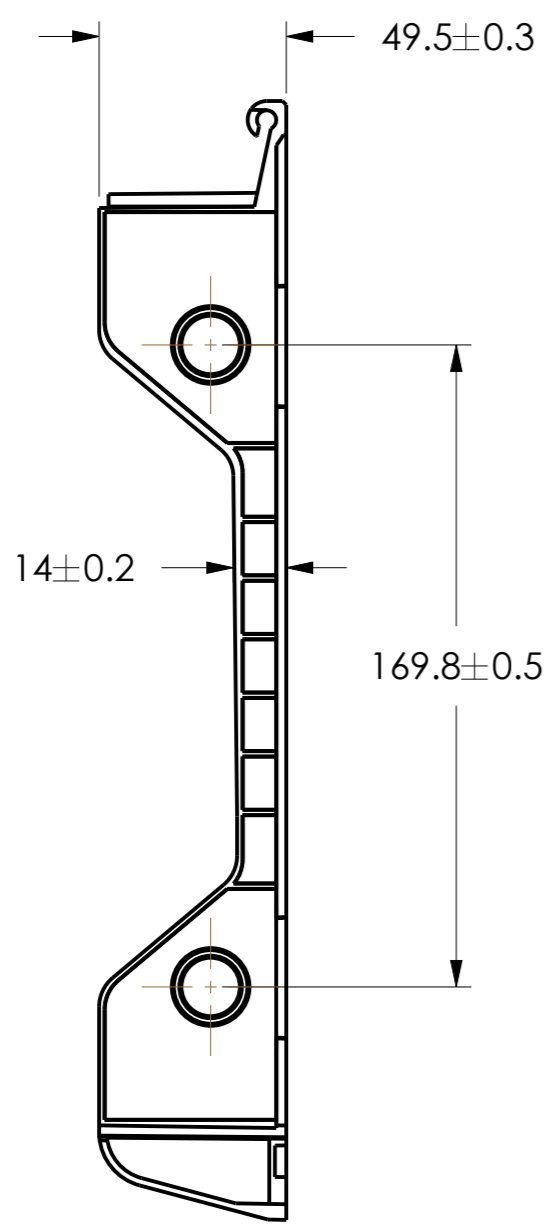
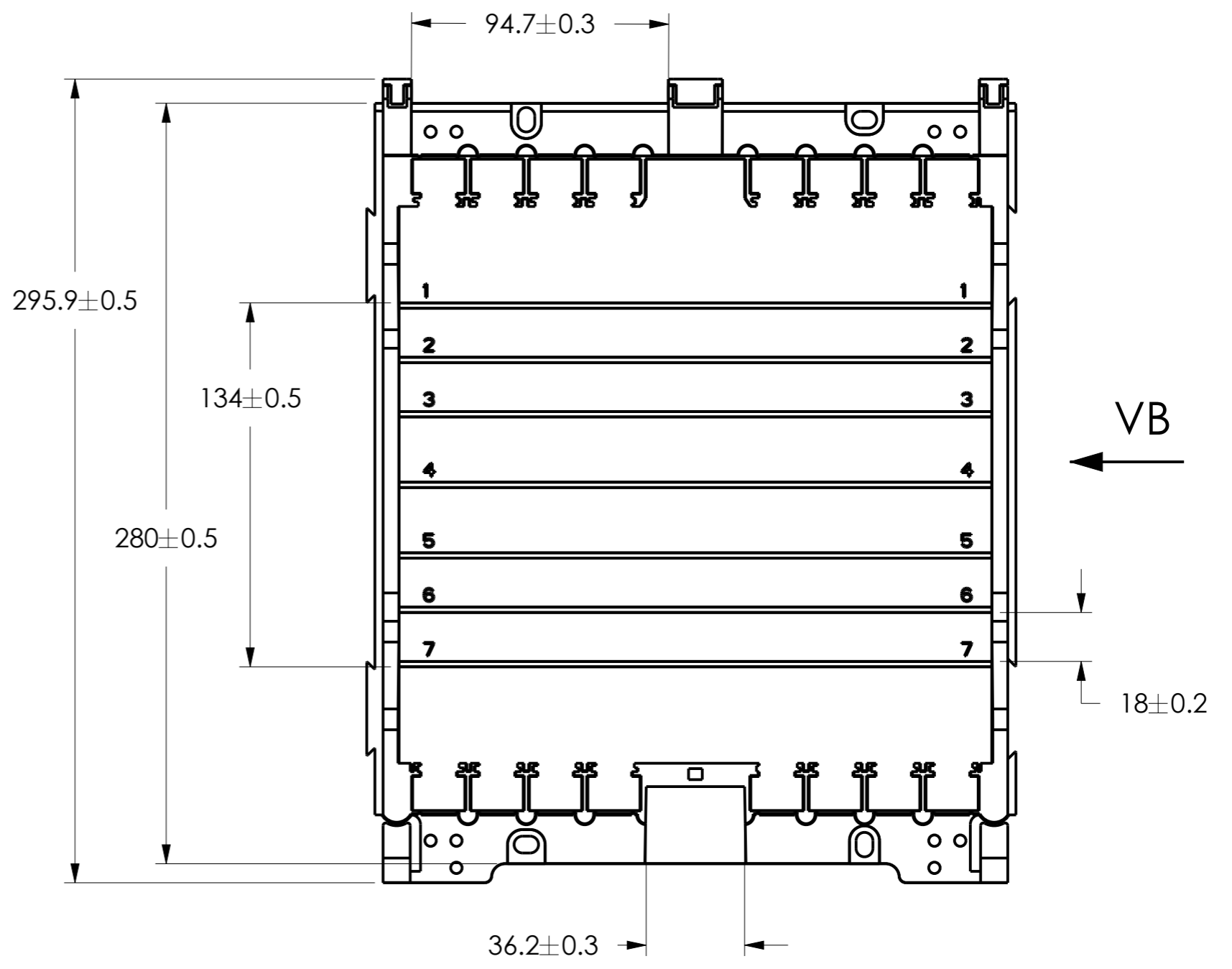


CURRENT REVISION		
REV	BY	DATE
	Niżnikowski Piotr	23-Mar-17 08:50:14 AM

VIEW VB

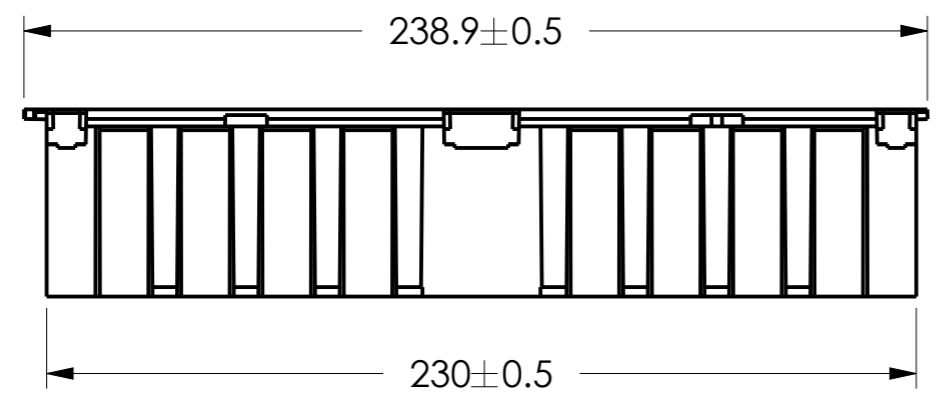


VA



VB

VIEW VA



STANDARDS APPLIED: CORNING: 0000117915-EN ASME Y14.5-2009 ASME Y14.100-2009		ITEM 1 QTY. 2	CREATED BY Niżnikowski Piotr	<h1>CORNING</h1> Corning Optical Communications Strykow, PL
		SCALE 1/2	DATE CREATED 23-Mar-17 08:50:14 AM	
CLASSIFICATION: Corning Restricted Confidential Under NDA (R3) Special Control		SCALE 1/2	UNITS DESCRIPTION	GENIII Gf AP housing base - size M
LEGAL NOTICE: TRADE SECRETS AND/OR CONFIDENTIAL/PROPRIETARY INFORMATION OWNED BY CORNING IS CONTAINED HEREIN AND MAY NOT BE DISCLOSED, USED, DUPLICATED OR DISTRIBUTED WITHOUT CORNING'S PRIOR WRITTEN CONSENT. YOUR FAILURE TO PROTECT CORNING'S TRADE SECRETS AND/OR CONFIDENTIAL/PROPRIETARY INFORMATION MAY RESULT IN YOUR LIABILITY FOR ALL RESULTING DAMAGES AND LOSSES.	SHEET 1 OF 1	FORMAT A3	MATERIAL ANJAFAM PC/ABS 050/85S FR/UV	VOLUME 236259.872
	FINISH NONE	PAINT	DOCUMENT NUMBER C46166-K0010-C204-001	