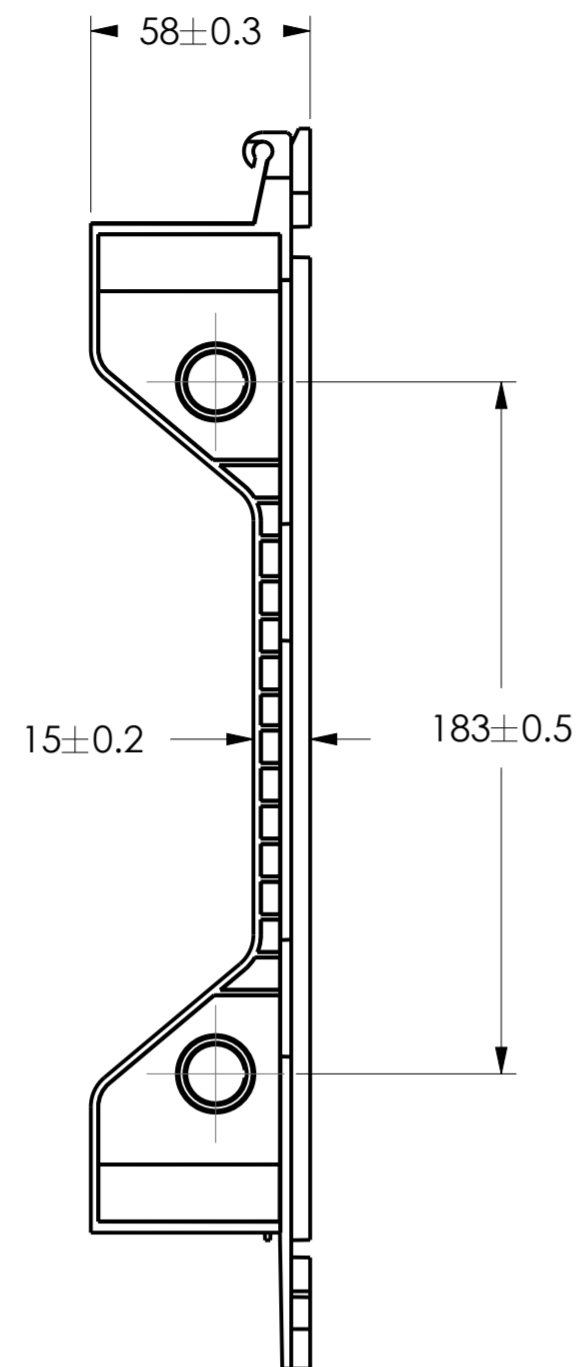
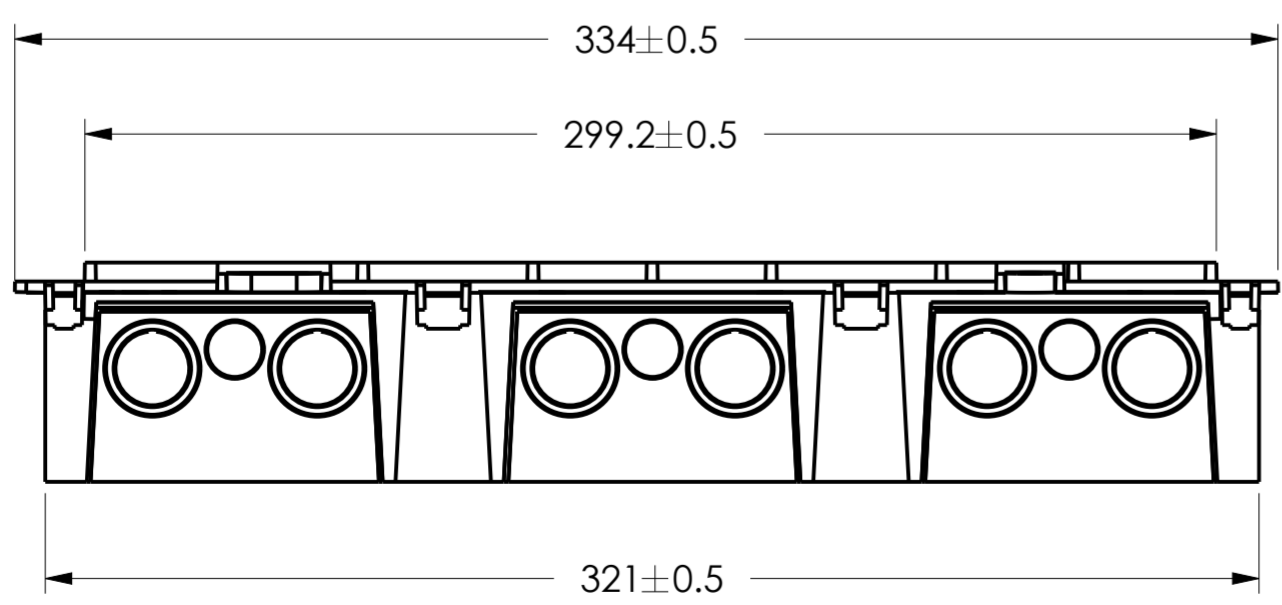


CURRENT REVISION		
REV	BY	DATE
	Niżnikowski Piotr	23-Mar-17 10:11:51 AM

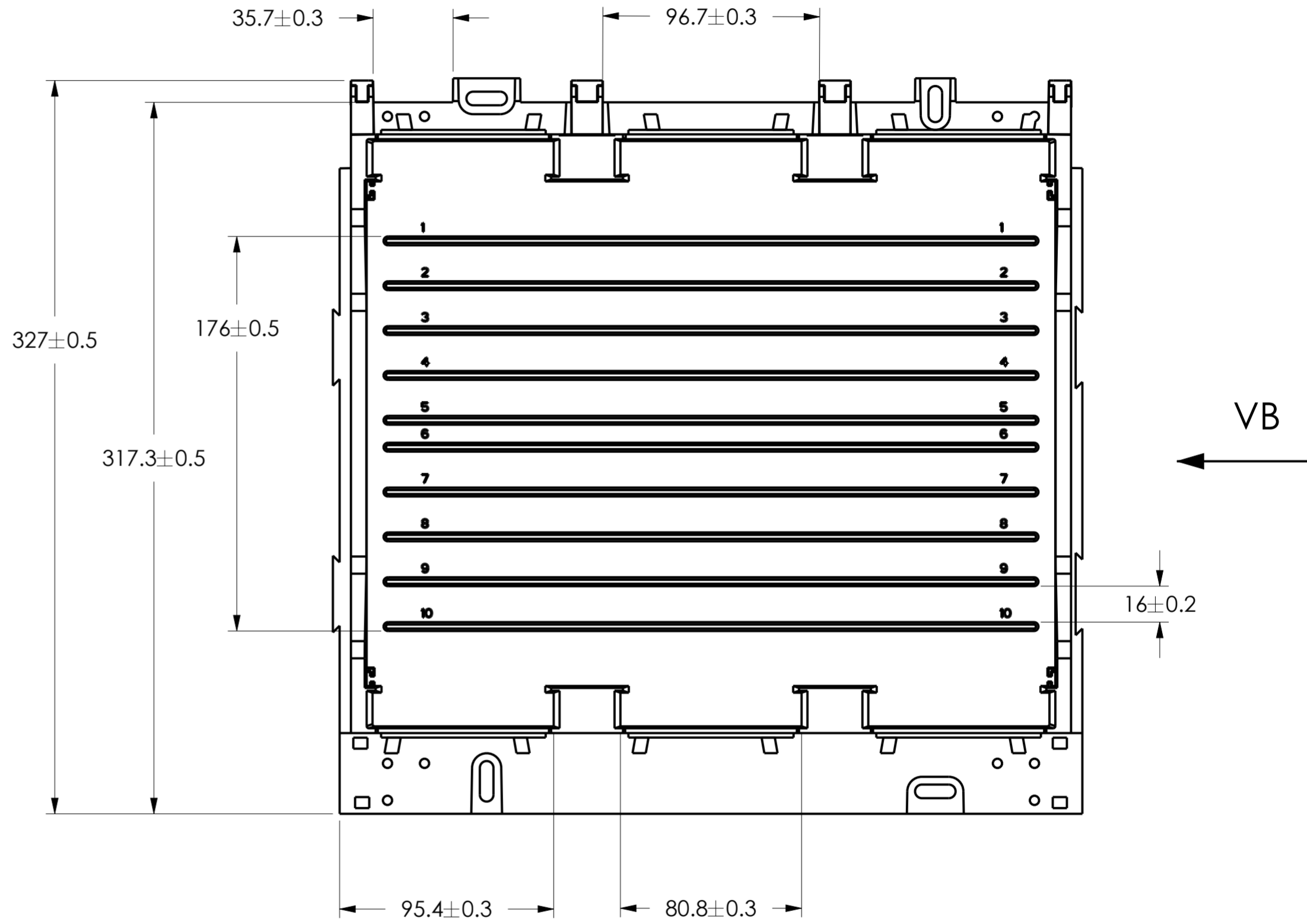
VIEW VB



VIEW VA



VA ↓



STANDARDS APPLIED: CORNING: 000117915-EN ASME Y14.5-2009 ASME Y14.100-2009		ITEM 1 QTY. 2	CREATED BY Niżnikowski Piotr	 Corning Optical Communications
		SCALE 1/2	UNITS A2	
CLASSIFICATION: Corning Restricted Confidential Under NDA (R3)		DESCRIPTION GEN III GF-AP Housing Base Size L		
<small>LEGAL NOTICE: TRADE SECRETS AND/OR CONFIDENTIAL/PROPRIETARY INFORMATION OWNED BY CORNING IS CONTAINED HEREIN AND MAY NOT BE DISCLOSED, USED, DUPLICATED OR DISTRIBUTED WITHOUT CORNING'S PRIOR WRITTEN CONSENT. YOUR FAILURE TO PROTECT CORNING'S TRADE SECRETS AND/OR CONFIDENTIAL/PROPRIETARY INFORMATION MAY RESULT IN YOUR LIABILITY FOR ALL RESULTING DAMAGES AND LOSSES.</small>	MATERIAL ANJAFLAM PC/ABS 050/85S FR/UV RAL 7047	VOLUME 1 OF 1	DOCUMENT NUMBER C46166-K0010-C194-001	PAINT

DWG NO: C46166-K0010-C194-001

SHEET 1

B

A