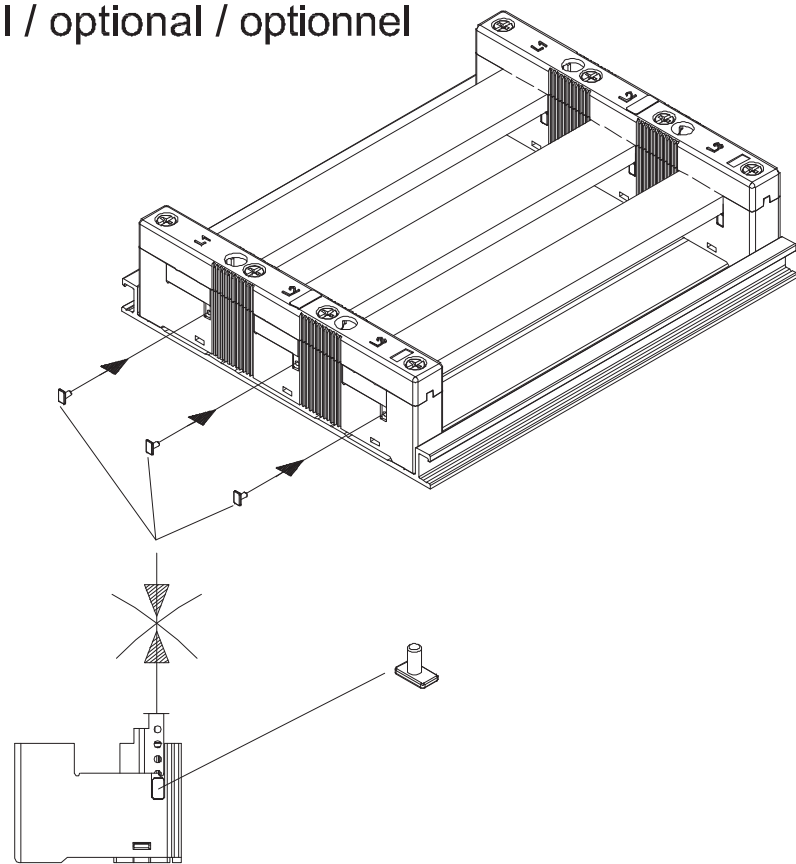


Optional / optional / optionnel



Suitable for use on a circuit capable of delivering not more than 35/25 kA rms symmetrical amperes, dimension busbar 30x10/5mm, spacings between supports 250/500mm, and 30/22 kA rms symmetrical amperes, 25x5mm, 20x10/5mm, 15x10/5mm, spacings between supports 250/500mm, 600 volts maximum.

When protected by Class L Fuse current 800A, dimension busbar 30x10/5mm spacings between supports 350mm, 50 kA SCCR symmetrical amperes.

For further information: [www.rittal.com](http://www.rittal.com)



SV  
9340.050

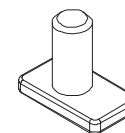


4 Sammelschienenhalter  
60 mm Schienenmittenabstand

4 Busbar supports  
60 mm busbar centre distance

4 Supports de jeux de barres  
60 mm d'écartement entre les axes des barres

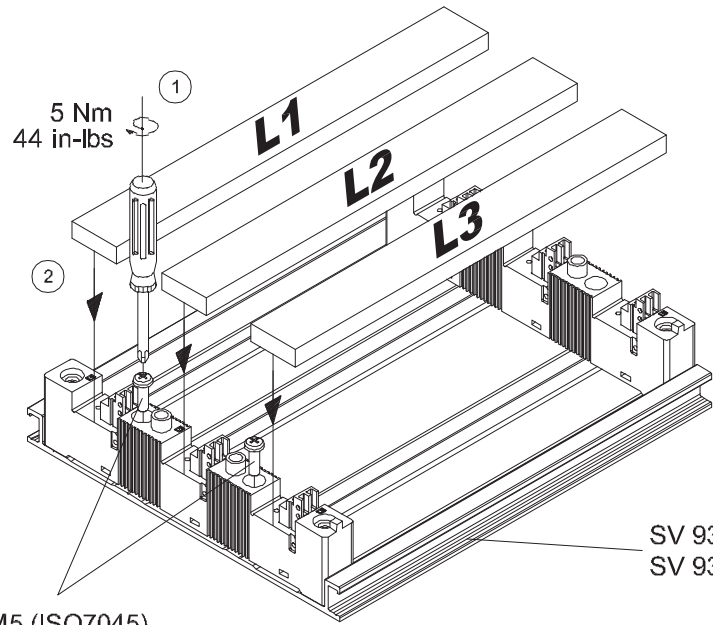
12 x



Zchng.-Nr. / No. of dwg.: A3636602SV

Versandbeutel-Nr. / No. of accessory bag: 80326262

Lieferanten-Nr. / No. of supplier: 6895301



SV 9340.100 - SV 9340.130  
SV 9340.170

M5 (ISO7045)

