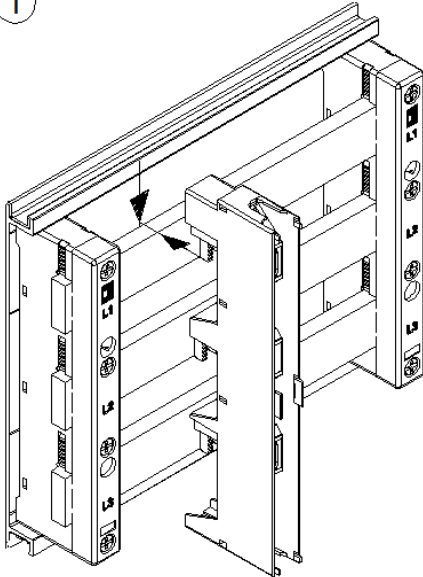


Montageanleitung Assembly instruction

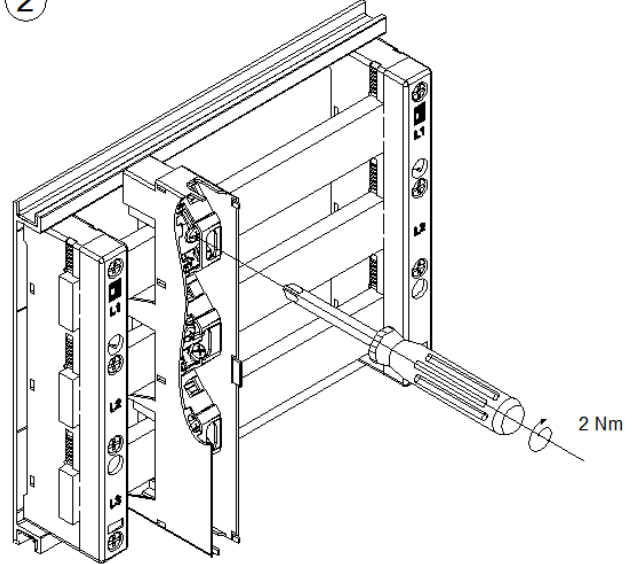
Anschlussadapter 63 A Connection adaptor 63 A

SV 9342.200/.210

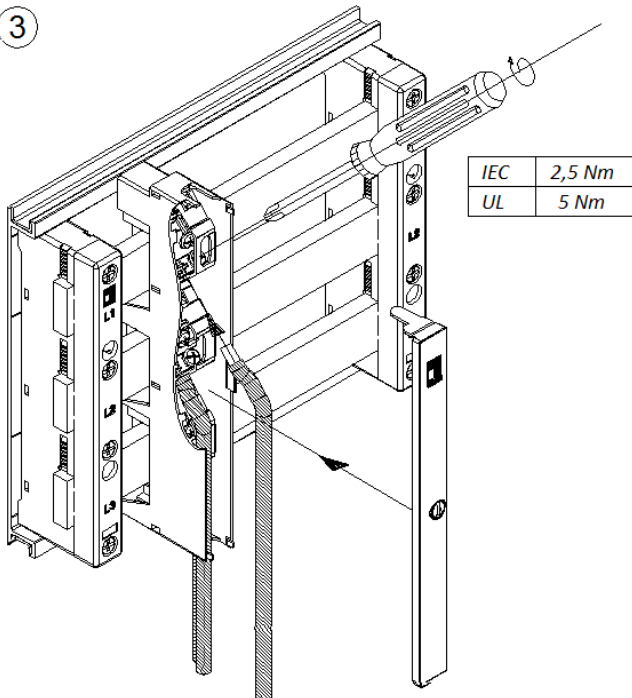
①



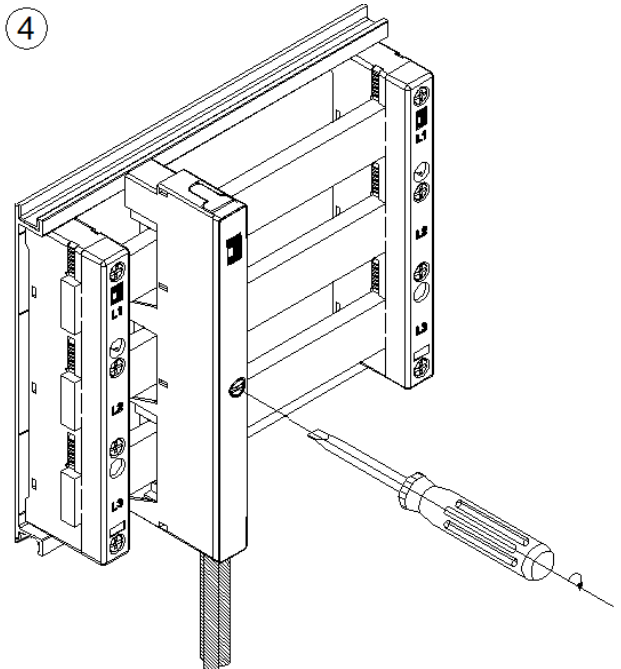
②



③



④



open close

