

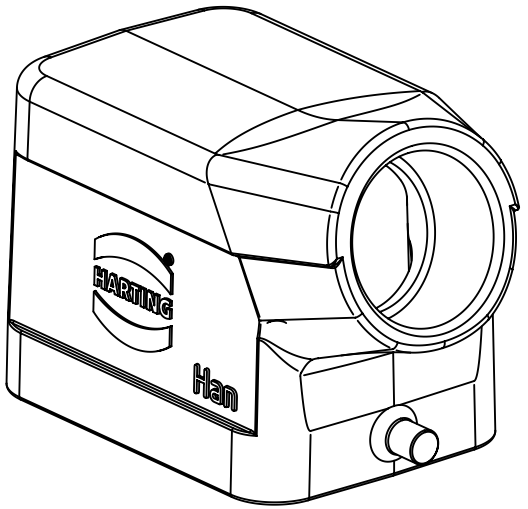
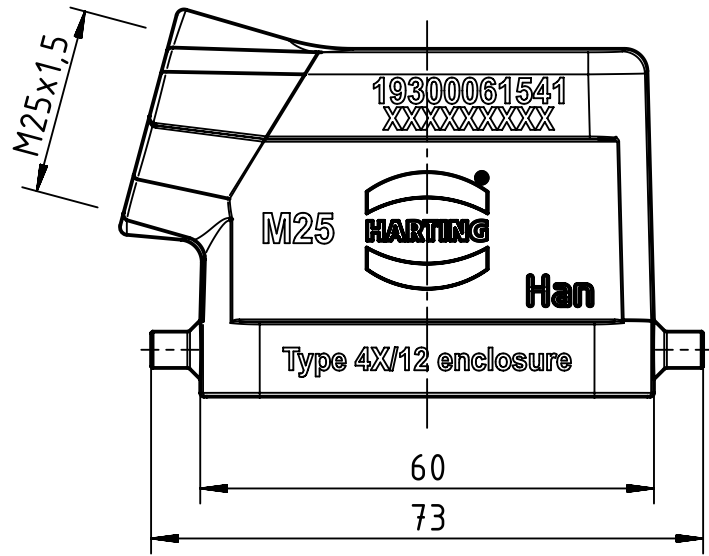
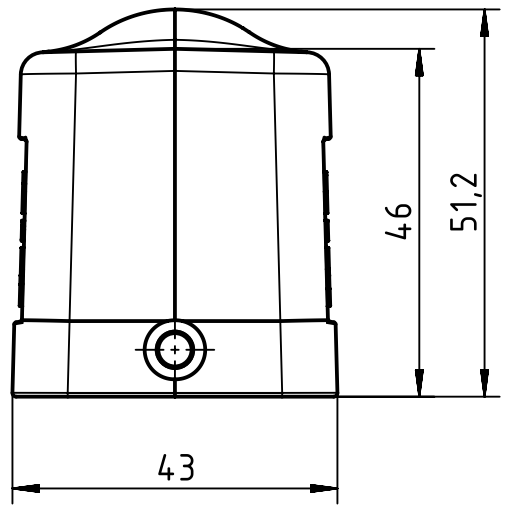
1 2 3 4 5 6

A

B

C

D



	All Dimensions in mm Original Size DIN A4		Scale 1:1	Free size tol.		Ref.
						Sub.
	All rights reserved		Created by RULLKOETTER	Inspected by BERGHORN	Standardisation RUETERA	Date 2017-04-18
	Department EL PD - DE		Title Han B HOOD SIDE ENTRY LC 2 PEGS M25			State Final Release
HARTING Electric GmbH & Co. KG D-32339 Espelkamp			Type TB	Number 19 30 006 1541		Doc-Key / ECM-Nr. 100178823/UGD/004/C 500000117679
					Rev. C	Page 1/1