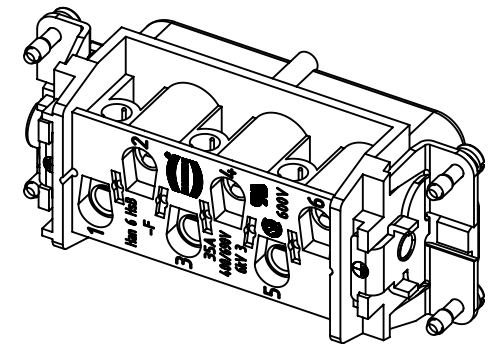
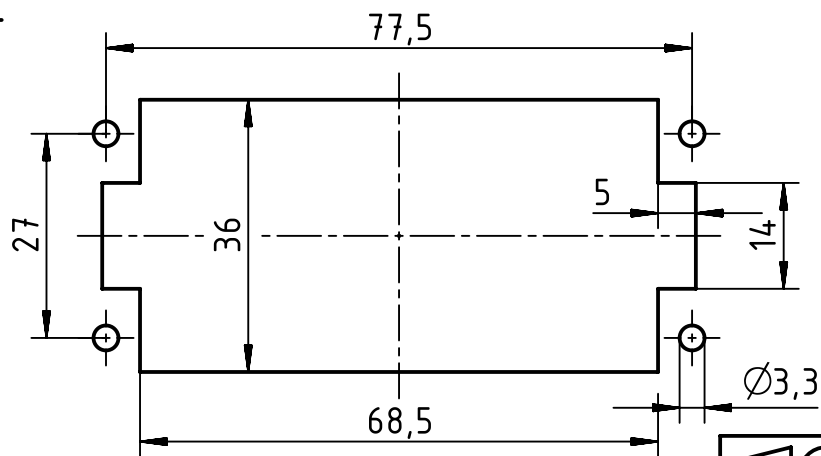


panel cut out



All Dimensions in mm
Original Size DIN A4

Scale
1:1

Free size tol.

Ref.

Sub.



All rights reserved

Created by
MATAU

Inspected by
PRIESTER

Standardisation
TIEMANNA

Date
2016-07-15

State
Final Release

HARTING Electric GmbH & Co. KG
D-32339 Espelkamp

Title

Han HsB 06 Pos. F Insert Screw

Doc-Key / ECM-Nr.
100129659/UGD/004/D
500000096884

Type
TB

Number
09 31 006 2701

Rev.
D

Page
1/1