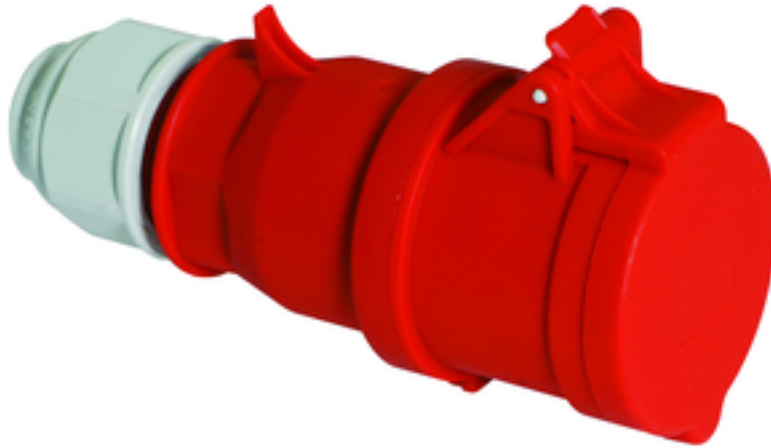


connector - with screwless terminals



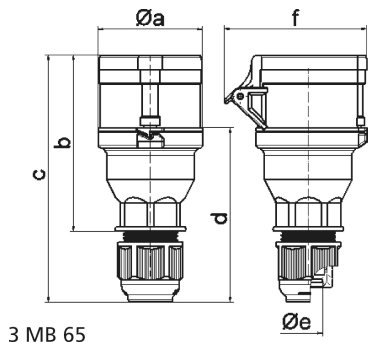
| Product description | |
|---------------------------|-------------------------|
| BALS-Prd.-Nr | 3148 |
| EAN | 4024941031486 |
| Product category | QUICK-CONNECT connector |
| Current | 32A |
| Number of poles | 5p |
| Arrangement of phases | 3p+N+PE |
| Position of earth contact | 6 h |
| Voltage | 200/346 - 240/415V~ |
| Frequency | 50/60Hz |

| Product description | |
|------------------------|---|
| Protection degree | IP44 |
| Colour code | red RAL 3000 |
| Colour of appliance | Hinged lid red RAL 3000, Housing cover red RAL 3000, Collar red RAL 3000, Cable gland grey RAL 7035 |
| Connection design | screwless spring terminals with Kontex-Kontakt |
| Maximum conductor size | 6,0 qmm |
| Cable entry | with cable gland |
| Height | 188mm |
| Width | 79mm |
| Depth | 102mm |
| Material of enclosure | Polyamide |
| Contacts | The contacts are brass, The contact carrier is made of polyamide |

| Additional technical properties | |
|---------------------------------|--|
| | The enclosure components are connected without screws and are secured by a snap-lock mechanism. Opening is only possible with a screwdriver., MULTI-GRIP cable gland with gasket and integrated strain relief, For cable diameter from 11 up to max. 23,5 mm |

| Logistics data | |
|----------------|------------------|
| Weight/pcs | 0.318 kg / Piece |
| Packaging | Carton |
| Content amount | 10 ST |

| Logistics data | |
|----------------|---------------|
| EAN | 4024941969819 |
| Length | 325 mm |
| Width | 217 mm |
| Height | 210 mm |
| Weight | 3.386 kg |
| Volume | 13,588.4 ccm |



3 MB 65

| Ampere | 16 | 16 | 16 | 32 | 32 | 32 |
|----------------------------|-------|-------|-------|-------|-------|-------|
| Polzahl | 3 | 4 | 5 | 3 | 4 | 5 |
| a ø | 53,0 | 60,0 | 66,0 | 74,5 | 74,5 | 74,5 |
| b | 100,5 | 112,5 | 113,5 | 133,5 | 133,5 | 134,5 |
| c | 141,0 | 153,0 | 154,0 | 186,0 | 186,0 | 187,0 |
| d | 97,5 | 104,5 | 105,5 | 127,5 | 127,5 | 128,5 |
| e ø | 18,0 | 18,0 | 18,0 | 23,0 | 23,0 | 23,0 |
| f | 76,0 | 79,0 | 86,0 | 92,0 | 92,0 | 97,0 |
| Leiter mm ² min | 1 | 1 | 1 | 2,5 | 2,5 | 2,5 |
| Leiter mm ² max | 2,5 | 2,5 | 2,5 | 6 | 6 | 6 |
| | | | | | | |
| | | | | | | |
| | | | | | | |