

combination wall mounting socket outlet - with terminals ready wired for installation



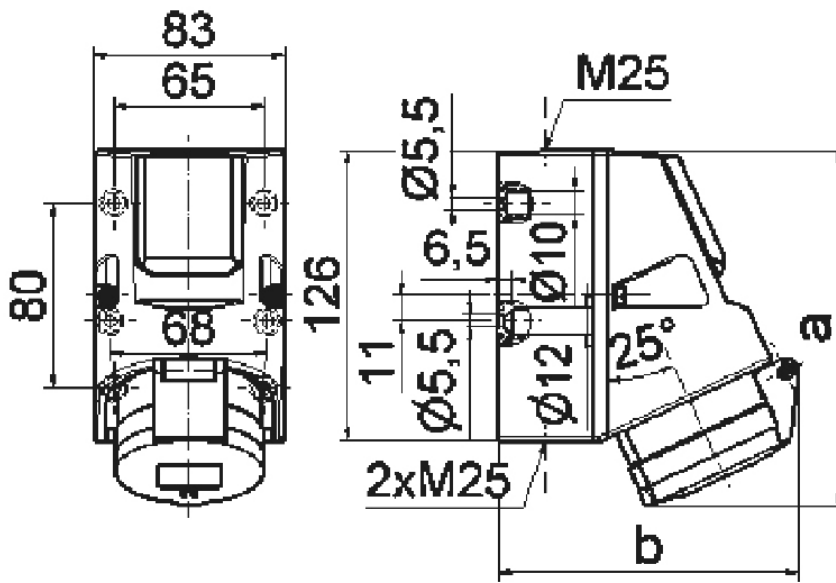
| Product description | |
|---------------------------|----------------------------------------------------------------------------|
| BALS-Prd.-Nr | 1010 |
| EAN | 4024941010108 |
| Product category | Combined wall mounting socket outlet, Combined wall mounting socket outlet |
| Current | 16A, 16A |
| Number of poles | 5p, 5p |
| Arrangement of phases | 3p+N+PE, 3p+N+PE |
| Position of earth contact | 6 h, 6 h |
| Voltage | 200/346 - 240/415V~, 200/346 - 240/415V~ |

| Product description | |
|------------------------|--------------------------------------------------------------------------------------------------------------------------------------------------------------|
| Frequency | 50/60Hz, 50/60Hz |
| Protection degree | IP44, IP44 |
| Colour code | red RAL 3000, red RAL 3000 |
| Colour of appliance | Housing bottom grey RAL 7035, Housing top grey RAL 7035, Collar grey RAL 7035, Housing bottom grey RAL 7035, Housing top grey RAL 7035, Collar grey RAL 7035 |
| Connection design | with screw terminal, with screw terminal |
| Maximum conductor size | 4,0 qmm, 4,0 qmm |
| Cable entry | 1xM25 top, 2xM25 bottom, 1xM25 top, 2xM25 bottom |
| Height | 154mm, 154mm |
| Width | 83mm, 83mm |
| Depth | 130mm, 130mm |
| Dimension of enclosure | 126x83 mm (HxW), 126x83 mm (HxW) |
| Material of enclosure | plastic, plastic |
| Contacts | The contact carrier is made of polyamide, The contacts are brass, The contact carrier is made of polyamide, The contacts are brass |

| Additional technical properties | |
|---------------------------------|--------------------------------------------------------------------------------------------------------------------------------------------------------------------------------------------------------------------------------------------------------------------------------------------|
| | With integrated domestic-type socket outlet 16A 230V AC, German standard type F, The cable entry is one at top open and two at bottom closed, With integrated domestic-type socket outlet 16A 230V AC, German standard type F, The cable entry is one at top open and two at bottom closed |
| | 4 cut out fixing holes in the lower part of housing, 4 cut out fixing holes in the lower part of housing |

| Additional technical properties | |
|---------------------------------|----------------------------------------------------------------------------------------------|
| | With 3x6mm ² terminals with wiring, With 3x6mm ² terminals with wiring |

| Logistics data | |
|----------------|------------------|
| Weight/pcs | 0.458 kg / Piece |
| Packaging | Bag |
| Content amount | 1 ST |
| EAN | 4024941010108 |
| Length | 130 mm |
| Width | 83 mm |
| Height | 154 mm |
| Weight | 0.459 kg |
| Volume | 1,661.66 ccm |
| Packaging | Carton |
| Content amount | 10 ST |
| EAN | 4024941959230 |
| Length | 330 mm |
| Width | 216 mm |
| Height | 260 mm |
| Weight | 4.806 kg |
| Volume | 17,062.5 ccm |



| | 16A | | 32A | |
|---|-----|-----|-----|-----|
| | 4p | 5p | 4p | 5p |
| a | 154 | 155 | 156 | 157 |
| b | 127 | 130 | 130 | 136 |

1 MB 17

