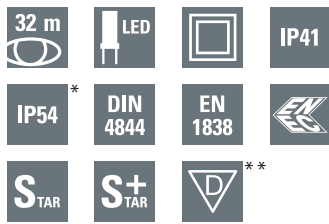


Style II 22011, 22021 LED CG-S, SET luminaires

Safety and Exit Sign Luminaires with the same design



Style II 22011, 22021 LED CG-S, set luminaires

- Exit sign luminaire from high quality, UV-resistant, halogen-free plastic with LED-technology
- Modular constructed luminaire series allowing combination with various fixing modules
- Exit signs with high luminance of > 500 cd/m² (white area) and good uniformity, in accordance with standards (silk-screened pictograms)
- Special LED optical arrangement for efficient illumination of exit routes, suitable for mounting heights up to 7m, maximum distance from luminaire to luminaire: > 16m from 3m mounting height and > 20 m from 4.5 m mounting height
- Minimum maintenance required due to high service life of the LEDs (over 50,000 hours)
- Simple mounting via quick mounting set (pre-assembly possible) with plug-in connectors for through-wiring
- Optionally available IP54 set (for electronic and light source) for increased sealing requirements both indoor and in protected outdoor areas
- Shortened inspection effort due to CEWA GUARD technology
- Automatic function monitoring of up to 20 luminaires per circuit
- Reduced installation costs with STAR technology
- Freely programmable mixed operation of the switching modes per luminaire in one circuit

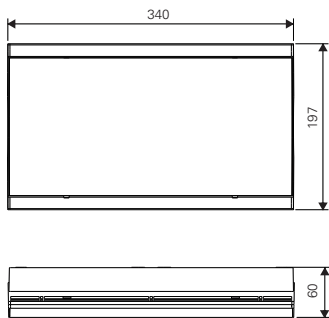
22011 LED SL CG-S with transparent cover



22011 LED CG-S with cover PR



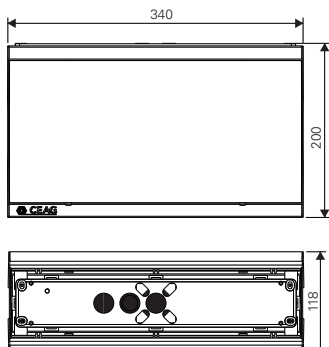
Dimensions in mm



22021 LED CG-S with cover PR



Dimensions in mm



Viewing distance	32 m
Luminous flux Φ_N	320 lm
Luminous flux Φ_E/Φ_N at end of rated operating time	100 %
Housing material	Polycarbonate
Housing colour	Light grey RAL 7035
Weight	0.79 kg
Type of mounting	Wall and ceiling mounting
Terminals	2 x 3 x 2.5 mm ²
Connection voltage	220 – 240 V, 50/60 Hz 176 – 275 V DC
Power consumption mains operation (apparent power/effective power)	22011: 7.6 VA / 4.4 W 22021: 9.5 VA / 5.8 W
Inrush current	1.5 A
Permissible ambient temperature	- 20 °C to + 40 °C
Current consumption - battery operation (220 V)	19 mA
Light source	22011: 3 x 1.1 W LED (6500 K / CRI 70) 22021: 4 x 1.1 W LED

Ordering details

Type	Scope of supply	Order No.
Style II 22011 LED SL CG-S SET	Luminaire housing, including LED-supply with CG-S technology and LED-circuit board 3 x 1 W, for exit route lighting, with quick mounting set, with transparent cover	40071356819
Style II 22011 LED CG-S SET	Luminaire housing, including LED-supply with CG-S technology and LED-circuit board 3 x 1 W, for exit signage, with opaque cap and pictogram set (arrow left, right, down acc. to ISO 7010) and quick mounting set	40071356820
Style II 22021 LED CG-S SET	Luminaire housing, including LED-supply with CG-S technology and LED-circuit board 4 x 1 W, for exit signage, with opaque cap and pictogram set (arrow left, right, down acc. to ISO 7010) and quick mounting set	40071356821
IP54 set*	Incl. quick mounting set and mounting accessories	40071356825

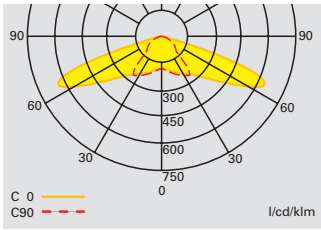
Start of phase-out in 2022

*) IP54 for electronic and lamp. For increased ingress protection requirements indoors or in protected outdoor areas.

**) In combination with IP54 set: limited surface temperature acc. to DIN EN 60598-2-24

Style II 22011, 22021 LED CG-S, SET luminaires

Safety and Exit Sign Luminaires with the same design



Light distribution curve 22011 LED CG-S with transparent cover

Planning help for 22011 LED SL CG-S with transparent cover for E = 1.0 lx (0.5 lx)

Measuring level 0.02 m. maintenance factor MF = 80 %. battery operation. distances in m

Mounting height (m)	Types of mounting	L1	L2	L3	L4
2.5	Ceiling mounting	3.1 (3.9)	7.9 (9.6)	6.5 (7.3)	14.6 (15.9)
3.0	Exit route centre	3.2 (4.2)	8.4 (10.4)	7.1 (8.3)	16.6 (18.4)
3.5		3.3 (4.4)	8.8 (11.1)	7.5 (9.1)	18.3 (20.6)
4.0		3.6 (4.5)	9.0 (11.7)	7.5 (9.9)	19.7 (22.6)
4.5		3.9 (4.6)	9.1 (12.1)	7.1 (10.3)	20.6 (24.5)
5.0		4.2 (4.8)	9.5 (12.4)	6.3 (10.6)	21.2 (26.0)
5.5		4.4 (5.1)	10.1 (12.6)	5.3 (10.7)	21.3 (27.4)
6.0		4.4 (5.4)	10.7 (12.8)	4.3 (10.4)	20.8 (28.5)
6.5		3.7 (5.7)	11.3 (13.0)	3.4 (9.8)	19.6 (29.4)
2.0	Wall mounting	1.6 (2.2)	4.4 (5.7)	1.5 (2.2)	4.4 (5.7)
2.5		1.3 (1.9)	3.8 (5.2)	- (1.8)	3.7 (5.2)
3.0		- (1.6)	3.2 (4.6)	- (-)	- (4.6)
2.5	Ceiling mounting	2.7 (3.5)	5.9 (7.1)	6.7 (6.3)	14.6 (14.5)
3.0	Room illumination	2.7 (3.5)	6.6 (7.7)	3.7 (8.0)	16.7 (17.7)
3.5		2.4 (3.6)	7.1 (8.4)	6.5 (4.6)	18.4 (20.4)
4.0		1.8 (3.8)	7.4 (9.0)	5.4 (9.7)	19.9 (22.7)
4.5		1.2 (3.6)	7.5 (9.7)	5.8 (5.2)	21.0 (24.4)
5.0		2.2 (3.1)	9.0 (10.1)	3.7 (9.0)	19.7 (26.2)
5.5		1.5 (2.5)	9.6 (10.4)	3.4 (7.4)	20.3 (27.7)
6.0		0.8 (1.7)	9.1 (10.5)	4.7 (7.9)	21.3 (29.1)
6.5		0.6 (3.4)	8.6 (11.8)	4.7 (6.1)	21.6 (27.3)
7.0		0.7 (3.1)	9.4 (12.7)	3.9 (5.0)	19.1 (27.6)

*) IP54 for electronic and lamp. For increased ingress protection requirements indoors or in protected outdoor areas.