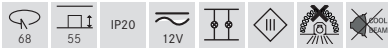
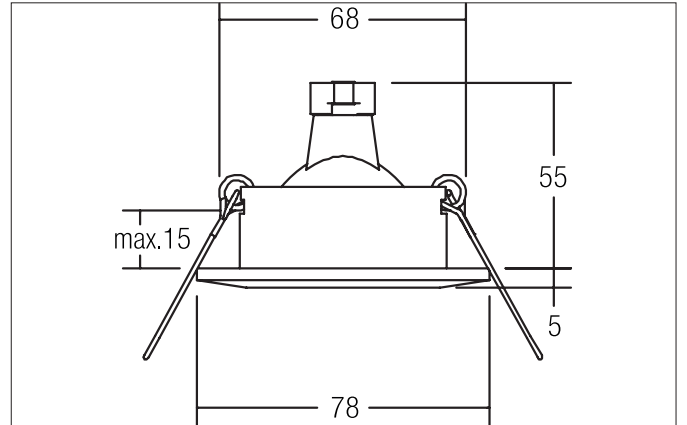




MADRI Recessed downlight, GX5,3

Article no. 3252.03



Tender

Recessed downlight, GX5,3, chrome matt, Round. In a compact design, for installation in tool-less rapid assembly systems. Lamp holder: GX5.3, Mounting method: Recessed mounting, Place of installation: Ceiling-mounted, Material: Die-cast aluminium, Degree of protection: according to DIN EN 60529 IP20, Protection class: (EN 61140) III, Voltage: 12V, Power: 13 W, Amount of light sources / fittings: 1 piece, Light colour: white, Adjustability: Not adjustable, without control gear, Type of dimming: Depending on driver.

Article data	
Article no.	3252.03
GTIN	4250047721765
Series name	MADRI
Short description	Recessed downlight, GX5,3
Material	Die-cast aluminium
Colour	chrome matt
Type of surface	Matt
Shape	Round
Outer diameter	78 mm
Built-in diameter	68 mm
Installation depth	55 mm
Height	5 mm
Weight	0.063 kg
Conformance	CE, UKCA


MADRI Recessed downlight, GX5,3

Article no. 3252.03

Operating technology of the luminaire	
System output	13 W
Voltage type	AC/DC
AC nominal voltage max	12 V
Frequency max	50 Hz
Lamp	For LED-retrofill lamp
Lamp holder	GX5.3
Protection class	III
Degree of protection	IP20
Control	Depending on driver
Bulb change possible	Yes

Mounting technology	
Mounting method	Recessed mounting
Place of installation	Ceiling-mounted
Adjustability	Not adjustable
Further references	No mounting box No cover with thermal insulation material

Packing data	
Gross weight	0.082 kg
Length of packaging	85 mm
Packaging width	35 mm
Packaging height	84 mm
Disposal at end of life	<p>This product must not be disposed of with household waste. You are obliged, to dispose of such electrical waste separately.</p> <p>By disposing of electrical waste and other old or defective electronics separately, you support recycling or other forms of re-use. In that way you help to take care and to avoid that harmful substances get into the environment.</p>

Compatible LED-modu-							
Article no.	Power	Beam angle	Colour temperature	Colour rendering		Input	Hight LED-Modul
12925003	3 W	38°	2.700 K	CRI > 80		350 mA	40 mm