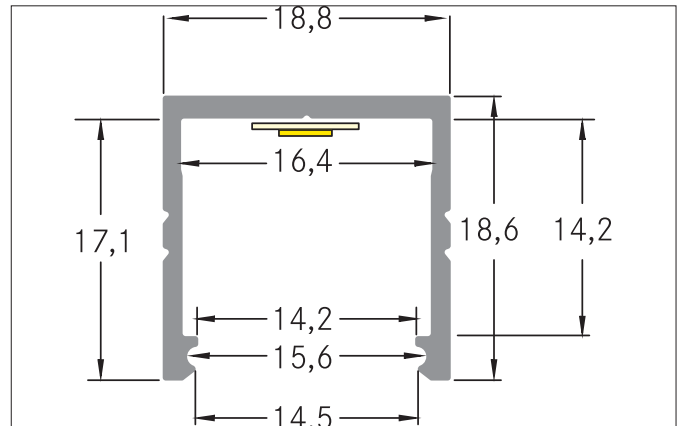




P16-16 Surface-mounted profile

Article no. 53607260



Tender

Surface-mounted profile, aluminum anodized. For optimal attachment of the profile this holders are suitable 53027080 53027260. With the use of profile covers 53440000 53440070 53440080 the additional mechanical protection and optimal light distribution can be achieved. The associated end cap set is under 53089260 available. Mounting method: Surface mounting, Material: Aluminium, dimensions profile: length: 2.000 mm x width: 18,8 mm x height: 18,6 mm.

Product Benefits

- Simple add-on profile.
- Available in black and anodized aluminium.
- Up to 4 meters long in one piece.
(For deliveries over 2,000 mm: please enquire about delivery costs separately)
- Extensive range of accessories.
- Covers on a roll, up to 80 meters in one piece.

Article data	
Article no.	53607260
GTIN	4251433945048
Series name	P16-16
Short description	Surface-mounted profile
Material	Aluminium
Colour	aluminum anodized
Length	2,000 mm
Width	18.8 mm
Hight	18.6 mm
Weight	0.38 kg
Conformance	CE, UKCA


P16-16 Surface-mounted profile

Article no. 53607260

Packing data	
Gross weight	0.794 kg
Length of packaging	2,020 mm
Packaging width	45 mm
Packaging height	45 mm
Note	Please note that the materials aluminium and PMMA or PC can expand differently with changes in temperature! At a temperature change of 10°C, the coefficient of expansion is approx. aluminium is approx. 0.7mm per metre, for plastic approx. 1.5mm per metre. This is not a defect in the product, this is a normal physical process.
Disposal at end of life	This product must not be disposed of with household waste. You are obliged, to dispose of such electrical waste separately. By disposing of electrical waste and other old or defective electronics separately, you support recycling or other forms of re-use. In that way you help to take care and to avoid that harmful substances get into the environment.