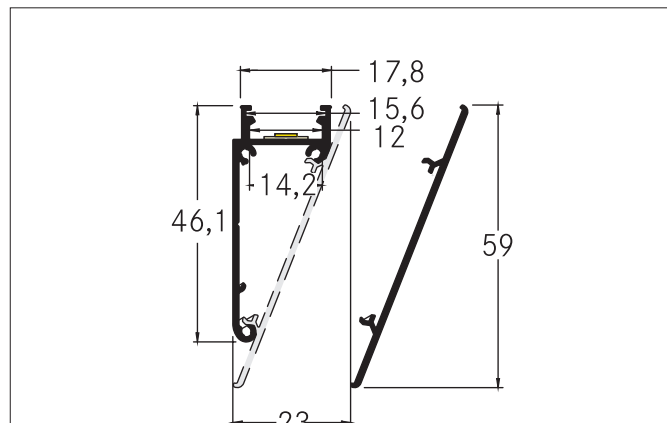



P73-12 Wall surface-mounted profile

Article no. 53754260


Tender

Wall surface-mounted profile, aluminum anodized. With the use of profile covers 53400000 53400070 53400080 53431070 the additional mechanical protection and optimal light distribution can be achieved. The associated end cap set is under 5307926053080260 available. Additionally the corner connector 53082260 can easily be used to create a 90 ° angle. Mounting method: Surface mounting, Material: Aluminium, dimensions profile: length: 2.000 mm x width: 17,8 mm x height: 46,1 mm.

Product Benefits

- Uncomplicated implementation of wall-mounted solutions for indirect lighting.
- For a special lighting effect on the wall without an existing cove.
- Up to 4 meters long in one piece.
(For deliveries over 2,000 mm: please enquire about delivery costs separately)
- Can be mounted upwards or downwards as required.
- Integrated cable routing possible.


P73-12 Wall surface-mounted profile

Article no. 53754260

Article data	
Article no.	53754260
GTIN	4251433912453
Series name	P73-12
Short description	Wall surface-mounted profile
Material	Aluminium
Colour	aluminum anodized
Length	2,000 mm
Width	17.8 mm
Height	46.1 mm
Weight	0.66 kg
Conformance	CE, UKCA

Packing data	
Gross weight	1.337 kg
Length of packaging	2,020 mm
Packaging width	70 mm
Packaging height	70 mm
Note	Please note that the materials aluminium and PMMA or PC can expand differently with changes in temperature! At a temperature change of 10°C, the coefficient of expansion is approx. aluminium is approx. 0.7mm per metre, for plastic approx. 1.5mm per metre. This is not a defect in the product, this is a normal physical process.
Disposal at end of life	This product must not be disposed of with household waste. You are obliged, to dispose of such electrical waste separately. By disposing of electrical waste and other old or defective electronics separately, you support recycling or other forms of re-use. In that way you help to take care and to avoid that harmful substances get into the environment.

Required accessories	
Article no.:	53081260
Front aluminum cover plate	
Dimensions:	2,000 mm x 59 mm x 4.8 mm
	https://www.brumberg.com/fileadmin/products/Datenblatt_53081260_2021_DE.pdf