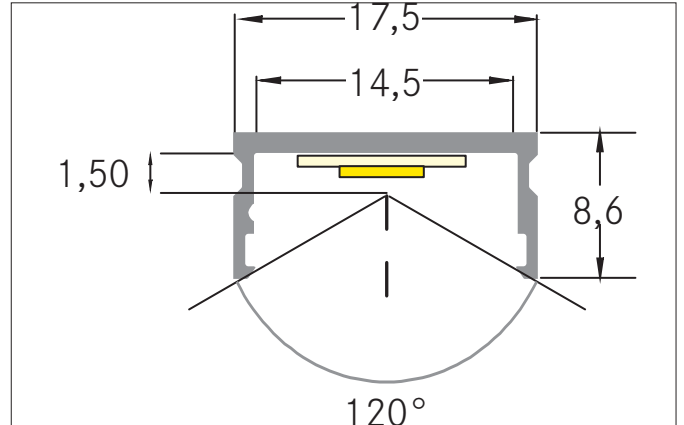




P05-14 Surface-mounted profile

Article no. 53604260



Tender

Surface-mounted profile, aluminum anodized. For optimal attachment of the profile this holders are suitable 53034000. With the use of profile covers 53440000 53440070 53440080 the additional mechanical protection and optimal light distribution can be achieved. The associated end cap set is under 53086260 available. Mounting method: Surface mounting, Material: Aluminium, dimensions profile: length: 2.000 mm x width: 17,5 mm x height: 8,6 mm.

Product Benefits

- Simple, compact mounting profile.
- Easy to use for displays.
- Up to 6 meters long in one piece.
(For deliveries over 2,000 mm: please enquire about delivery costs separately)
- Matching covers in transparent, opal and black available.
- Covers on a roll, up to 80 meters in one piece.

Article data	
Article no.	53604260
GTIN	4251433911357
Series name	P05-14
Short description	Surface-mounted profile
Material	Aluminium
Colour	aluminum anodized
Length	2,000 mm
Width	17.5 mm
Hight	8.6 mm
Weight	0.22 kg
Conformance	CE, UKCA

**P05-14 Surface-mounted profile**

Article no. 53604260

Packing data	
Gross weight	0.6 kg
Length of packaging	2,020 mm
Packaging width	30 mm
Packaging height	30 mm
Note	Please note that the materials aluminium and PMMA or PC can expand differently with changes in temperature! At a temperature change of 10°C, the coefficient of expansion is approx. aluminium is approx. 0.7mm per metre, for plastic approx. 1.5mm per metre. This is not a defect in the product, this is a normal physical process.
Disposal at end of life	This product must not be disposed of with household waste. You are obliged, to dispose of such electrical waste separately. By disposing of electrical waste and other old or defective electronics separately, you support recycling or other forms of re-use. In that way you help to take care and to avoid that harmful substances get into the environment.