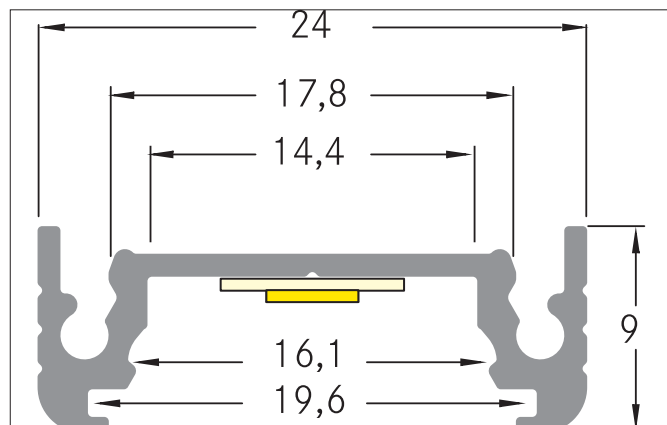




P04-14 Surface-mounted profile

Article no. 53602080



Tender

Surface-mounted profile, black anodized. For optimal attachment of the profile this holders are suitable 53003000. For connecting of two profiles is the connector 53004000 optimal suited. With the use of profile covers 53402000 53402070 53402080 the additional mechanical protection and optimal light distribution can be achieved. The associated end cap set is under 53114080 available. Additionally the corner connector 53055080 can easily be used to create a 90 ° angle. Mounting method: Surface mounting, Material: Aluminium, dimensions profile: length: 2.000 mm x width: 24 mm x height: 9 mm.

Product Benefits

- Flat surface-mounted profile.
- Available in white, black and anodized aluminium.
- Up to 4 meters long in one piece.
(For deliveries over 2,000 mm: please enquire about delivery costs separately)
- Connecting piece 90° for rectangular applications.
- Extensive range of accessories and matching covers.

Article data	
Article no.	53602080
GTIN	4251433912071
Series name	P04-14
Short description	Surface-mounted profile
Material	Aluminium
Colour	black anodized
Length	2,000 mm
Width	24 mm
Hight	9 mm
Weight	0.38 kg
Conformance	CE, UKCA

**P04-14 Surface-mounted profile**

Article no. 53602080

Packing data	
Gross weight	0.794 kg
Length of packaging	2,020 mm
Packaging width	45 mm
Packaging height	45 mm
Note	Please note that the materials aluminium and PMMA or PC can expand differently with changes in temperature! At a temperature change of 10°C, the coefficient of expansion is approx. aluminium is approx. 0.7mm per metre, for plastic approx. 1.5mm per metre. This is not a defect in the product, this is a normal physical process.
Disposal at end of life	This product must not be disposed of with household waste. You are obliged, to dispose of such electrical waste separately. By disposing of electrical waste and other old or defective electronics separately, you support recycling or other forms of re-use. In that way you help to take care and to avoid that harmful substances get into the environment.