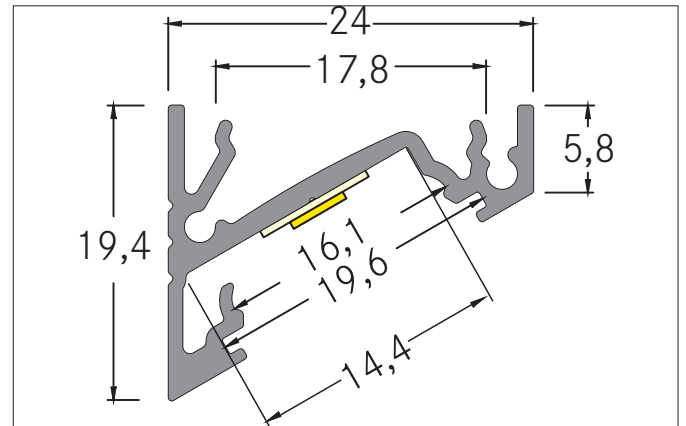




P62-14 Surface-mounted corner profile

Article no. 53702080



Tender

Surface-mounted corner profile, black anodized. For optimal attachment of the profile this holders are suitable 53003000. For connecting of two profiles is the connector 53004000 optimal suited. With the use of profile covers 53402000 53402070 53402080 53432070 the additional mechanical protection and optimal light distribution can be achieved. The associated end cap set is under 53073080 available. Additionally the corner connector 53084080 can easily be used to create a 90 ° angle. Mounting method: Surface mounting, Material: Aluminium, dimensions profile: length: 2.000 mm x width: 24 mm x height: 19,4 mm.

Product Benefits

- Wide surface-mounted corner profile.
- Available in white, black and anodized aluminium.
- Up to 4 meters long in one piece.
(For deliveries over 2,000 mm: please enquire about delivery costs separately)
- Soft light emission due to higher cover.
- Concealed fixing directly to the substrate.
- Connecting piece 90° for rectangular application.


P62-14 Surface-mounted corner profile

Article no. 53702080

Article data	
Article no.	53702080
GTIN	425 14339 12231
Series name	P62-14
Short description	Surface-mounted corner profile
Material	Aluminium
Colour	black anodized
Length	2,000 mm
Width	24 mm
Hight	19.4 mm
Weight	0.42 kg
Conformance	CE, UKCA

Packing data	
Gross weight	0.834 kg
Length of packaging	2,020 mm
Packaging width	45 mm
Packaging hight	45 mm
Note	Please note that the materials aluminium and PMMA or PC can expand differently with changes in temperature! At a temperature change of 10 [°] C, the coefficient of expansion is approx. aluminium is approx. 0.7mm per metre, for plastic approx. 1.5mm per metre. This is not a defect in the product, this is a normal physical process. physical process.
Disposal at end of life	This product must not be disposed of with household waste. You are obliged, to dispose of such electrical waste separately. By disposing of electrical waste and other old or defective electronics separately, you support recycling or other forms of re-use. In that way you help to take care and to avoid that harmful substances get into the environment.