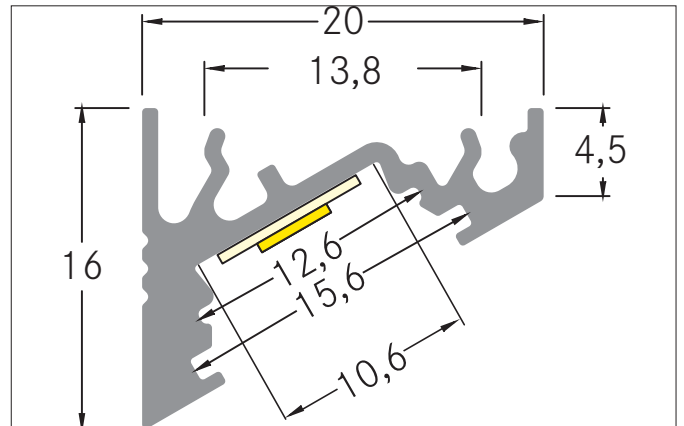




P60-10 Surface-mounted corner profile

Article no. 53700260



Tender

Surface-mounted corner profile, aluminum anodized. For optimal attachment of the profile this holders are suitable 53001000. For connecting of two profiles is the connector 53005000 optimal suited. With the use of profile covers 53400000 53400070 53400080 the additional mechanical protection and optimal light distribution can be achieved. The associated end cap set is under 53070260 available. Additionally the corner connector 53071260 can easily be used to create a 90 ° angle. Mounting method: Surface mounting, Material: Aluminium, dimensions profile: length: 2.000 mm x width: 20 mm x height: 16 mm.

Product Benefits

- Compact surface-mounted corner profile.
- Alignment of the beam angle to 30° or 60° depending on mounting.
- Up to 4 meters long in one piece.
(For deliveries over 2,000 mm: please enquire about delivery costs separately)
- Can be used for corner constructions such as cabinet lighting or the kitchen worktop.


P60-10 Surface-mounted corner profile

Article no. 53700260

Article data	
Article no.	53700260
GTIN	425 14339 11890
Series name	P60-10
Short description	Surface-mounted corner profile
Material	Aluminium
Colour	aluminum anodized
Length	2,000 mm
Width	20 mm
Height	16 mm
Weight	0.32 kg
Conformance	CE, UKCA

Packing data	
Gross weight	0.734 kg
Length of packaging	2,000 mm
Packaging width	45 mm
Packaging height	45 mm
Note	Please note that the materials aluminium and PMMA or PC can expand differently with changes in temperature! At a temperature change of 10°C, the coefficient of expansion is approx. aluminium is approx. 0.7mm per metre, for plastic approx. 1.5mm per metre. This is not a defect in the product, this is a normal physical process.
Disposal at end of life	This product must not be disposed of with household waste. You are obliged, to dispose of such electrical waste separately. By disposing of electrical waste and other old or defective electronics separately, you support recycling or other forms of re-use. In that way you help to take care and to avoid that harmful substances get into the environment.