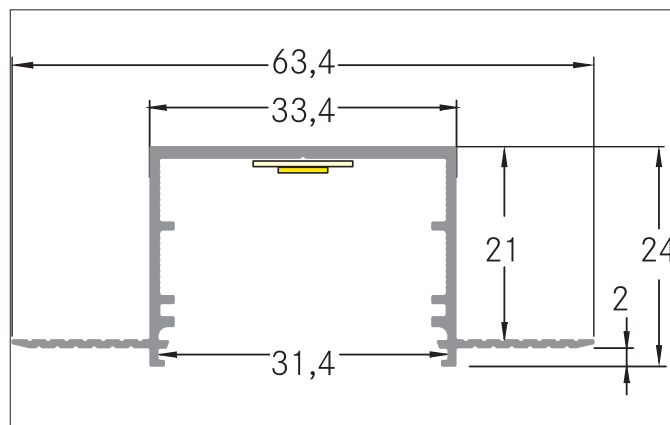




## P38-30 Plaster profile

Article no. 53656070



### Tender

Plaster profile, white. With the use of profile covers 53404000 53404070 53404080 the additional mechanical protection and optimal light distribution can be achieved. The associated end cap set is under 53092070 available. Mounting method: Recessed mounting, Material: Aluminium, dimensions profile: length: 2.000 mm x width: 63,4 mm x height: 24 mm.

### Product Benefits

- Elegant, deep plastering profile for ceiling installation.
- Ribbed surface for better grip when plastering plastering the surface.
- Up to 4 meters long in one piece.  
(For deliveries over 2,000 mm: please enquire about delivery costs separately)
- Small visible aluminum edge when installed.
- Due to the depth of the profile, all Brumberg Select boards achieve a homogeneous light pattern.



## P38-30 Plaster profile

Article no. 53656070

Article data	
Article no.	53656070
GTIN	4251433912958
Series name	P38-30
Short description	Plaster profile
Material	Aluminium
Colour	white
Type of surface	Matt
Length	2,000 mm
Width	63.4 mm
Hight	24 mm
Weight	0.78 kg
Conformance	CE, UKCA

Packing data	
Gross weight	1.194 kg
Length of packaging	2,020 mm
Packaging width	45 mm
Packaging hight	45 mm
Note	Please note that the materials aluminium and PMMA or PC can expand differently with changes in temperature! At a temperature change of 10°C, the coefficient of expansion is approx. aluminium is approx. 0.7mm per metre, for plastic approx. 1.5mm per metre. This is not a defect in the product, this is a normal physical process. physical process.
Disposal at end of life	This product must not be disposed of with household waste. You are obliged, to dispose of such electrical waste separately. By disposing of electrical waste and other old or defective electronics separately, you support recycling or other forms of re-use. In that way you help to take care and to avoid that harmful substances get into the environment.