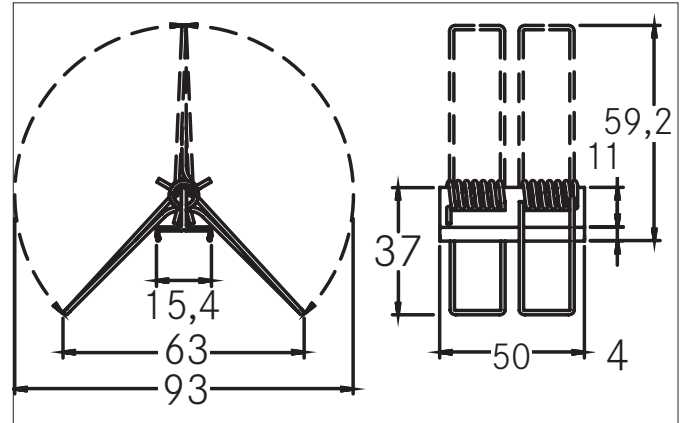
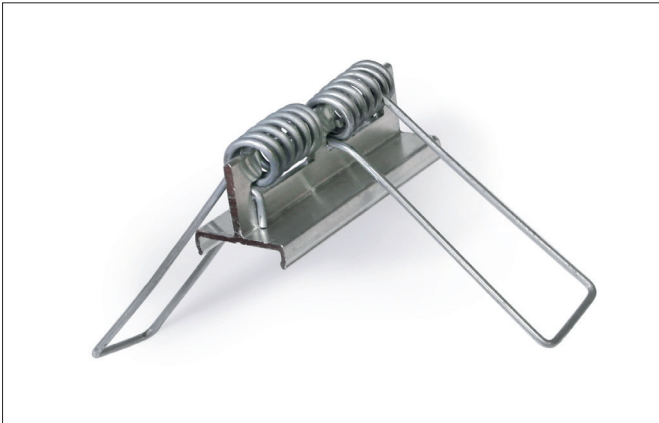


**P31-10 Spring holder for hollow ceilings**

Article no. 53008000

Light.  
For Generations.**Tender**

Spring holder for hollow ceilings, aluminium raw. Material: Aluminium.

Article data	
Article no.	53008000
GTIN	4251433911555
Series name	P31-10
Short description	Spring holder for hollow ceilings
Material	Aluminium
Colour	Alu
Length	50 mm
Width	15.4 mm
Hight	37 mm
Weight	0.008 kg
Conformance	CE, UKCA

Packing data	
Gross weight	0.009 kg
Length of packaging	50 mm
Packaging width	50 mm
Packaging hight	30 mm
Disposal at end of life	This product must not be disposed of with household waste. You are obliged, to dispose of such electrical waste separately. By disposing of electrical waste and other old or defective electronics separately, you support recycling or other forms of re-use. In that way you help to take care and to avoid that harmful substances get into the environment.