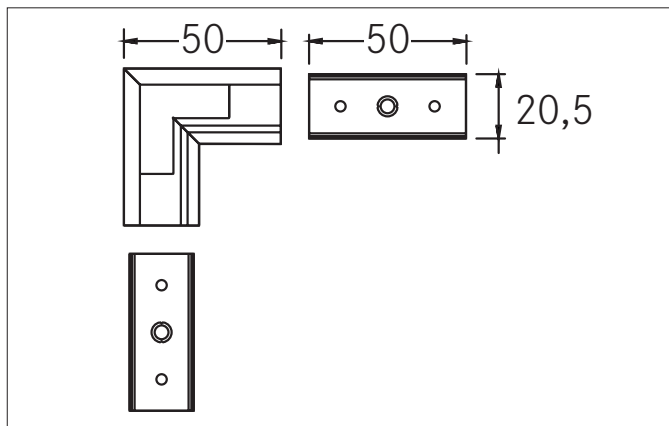




P62-14 Connection piece 90°

Article no. 53084260



Tender	
Connecting piece 90°, anodized aluminium. Material: aluminum, dimensions profile: L: 50 mm x W: 50 mm x H: 19.4 mm	

Article data	
Article no.	53084260
GTIN	4251433912286
Series name	P62-14
Short description	Connection piece 90°
Material	Aluminium
Colour	aluminum anodized
Length	50 mm
Width	50 mm
Hight	19.4 mm
Weight	0.028 kg
Conformance	CE, UKCA

Packing data	
Gross weight	0.03 kg
Length of packaging	80 mm
Packaging width	20 mm
Packaging hight	130 mm

Disposal at end of life	This product must not be disposed of with household waste. You are obliged, to dispose of such electrical waste separately. By disposing of electrical waste and other old or defective electronics separately, you support recycling or other forms of re-use. In that way you help to take care and to avoid that harmful substances get into the environment.
-------------------------	---