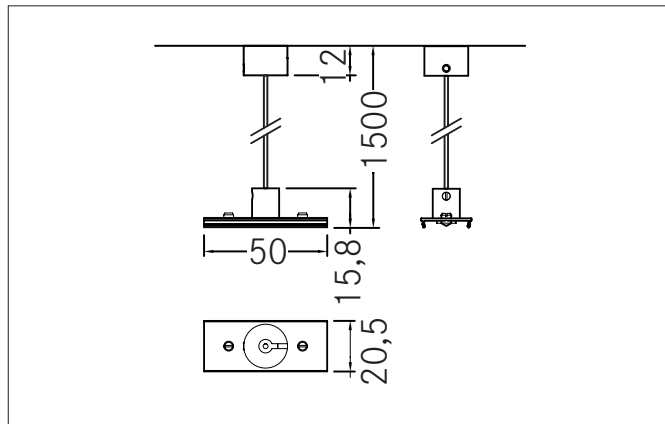


Suspension set SELV 50V, 1,500 mm

Article no. 53022260


Tender

Suspension set SELV 50V, 1,500 mm, silver. Material: Aluminium.

Article data	
Article no.	53022260
GTIN	4251433911630
Short description	Suspension set SELV 50V, 1,500 mm
Material	Aluminium
Colour	Silver
Length	1,500 mm
Weight	0.066 kg
Conformance	CE, UKCA

Packing data	
Gross weight	0.07 kg
Length of packaging	100 mm
Packaging width	20 mm
Packaging height	160 mm
Disposal at end of life	This product must not be disposed of with household waste. You are obliged, to dispose of such electrical waste separately. By disposing of electrical waste and other old or defective electronics separately, you support recycling or other forms of re-use. In that way you help to take care and to avoid that harmful substances get into the environment.