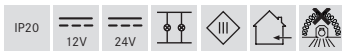
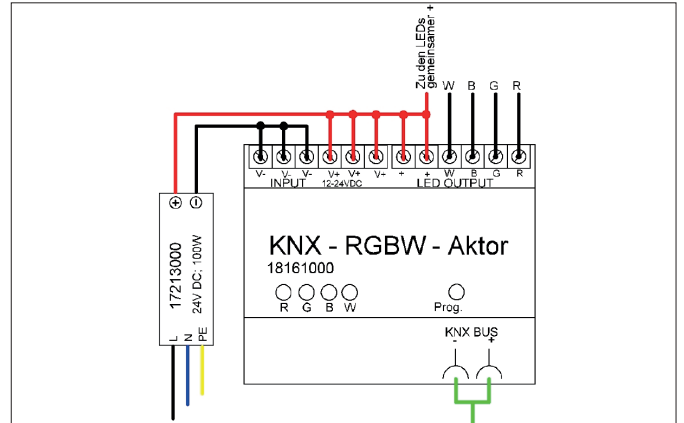
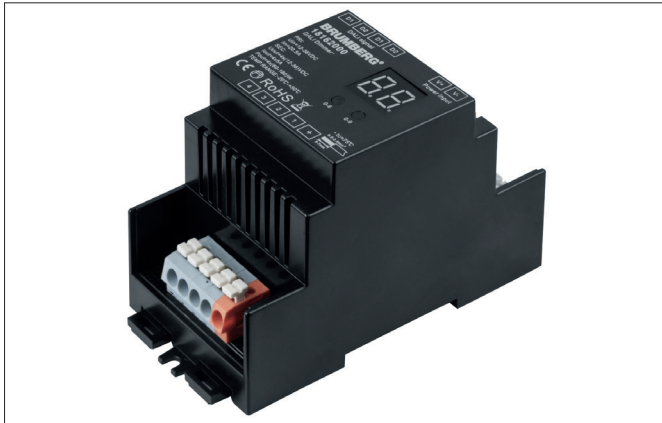




REG LED dimmer 12-24 V DC, dimmable
 Article no. 18161000



Tender
 REG LED dimmer 12-24 V DC, dimmable, black. Compact design for harmonious implementation in well-rounded architectural room concepts. 18161000: 4-channel device with max. 4 addresses (KNX). An address is assigned to each channel (output). The KNX dimmer can be used for monochrome, RGB and RGBW lights. KNX certified device, configurable via ETS software (4.0 or higher). System application or KNXPROD file in German for download from www.brumberg.com. Functions / objects: switching, relative dimming, absolute dimming, pre-set, scenes, color sequences, two preprogrammed color gradients, etc. , Mounting method: Surface mounting, Material: Plastic, Degree of protection: according to DIN EN 60529 IP20, Protection class: (EN 61140) III, Voltage: 12V 24V, Power: 240 W, Type of dimming: KNX.

Article data	
Article no.	18161000
GTIN	4250047799849
Short description	REG LED dimmer 12-24 V DC, dimmable
Material	Plastic
Colour	black
Length	72 mm
Width	90 mm
Height	70 mm
Weight	0.164 kg
Conformance	CE, UKCA


REG LED dimmer 12-24 V DC, dimmable

Article no. 18161000

Operating technology of driver	
Protection class	III
Degree of protection	IP20
Power	1 W
Power max.	240 W
Output voltage max	24.00 V
Output voltage min.	12.00 V
Control	KNX
Environment temperature (ta)	0 °C up to +45 °C
Measure point (tc)	max. +75 °C

Packing data	
Gross weight	0.203 kg
Length of packaging	95 mm
Packaging width	70 mm
Packaging height	75 mm
Disposal at end of life	<p>This product must not be disposed of with household waste. You are obliged, to dispose of such electrical waste separately.</p> <p>By disposing of electrical waste and other old or defective electronics separately, you support recycling or other forms of re-use. In that way you help to take care and to avoid that harmful substances get into the environment.</p>