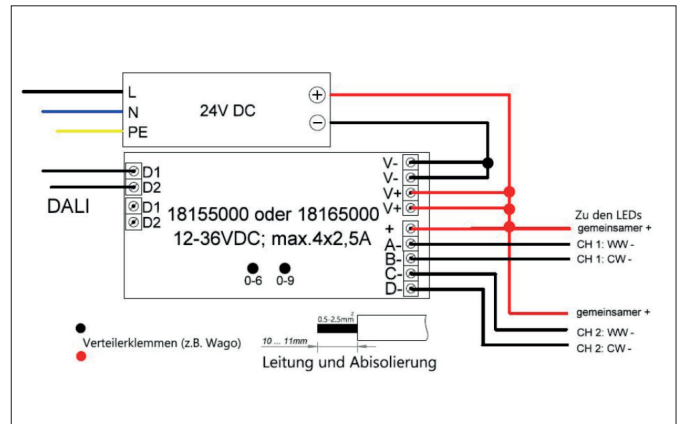




LED dimmer 12-24 V DC, dimmable

Article no. 18155000



Tender

LED dimmer 12-24 V DC, dimmable, black. Compact design for harmonious implementation in well-rounded architectural room concepts.

18155000: DALI DT8 4-channel device, for controlling TunableWhite and RGBW luminaires. Depending on the set operating mode, only one DALI DT8 protocol, only one DALI address is required.

The following settings are possible:

TunableWhite:

2 channels with 2 outputs each for warm white (channel A- & C-) and cool white (channel B- & D-). Depending on the setting, synchronous operation of both of both outputs is possible, or independent of each other.

RGBW:

4 channels, one each for red, green, blue and white. The connected luminaires can be switched, adjusted in color temperature (TunableWhite) or color spectrum (RGBW), changed and dimmed.

, Mounting method: Surface mounting, Material: Plastic, Degree of protection: according to DIN EN 60529 IP20, Protection class: (EN 61140) III, Voltage: 12V 24V, Power: 240 W, Type of dimming: DALI-2.

**LED dimmer 12-24 V DC, dimmable**

Article no. 18155000

Article data	
Article no.	18155000
GTIN	4251433913177
Short description	LED dimmer 12-24 V DC, dimmable
Material	Plastic
Colour	black
Length	170 mm
Width	59 mm
Hight	30 mm
Weight	0.143 kg
Conformance	CE, UKCA

Operating technology of driver	
Protection class	III
Degree of protection	IP20
Power	1 W
Power max.	240 W
Output voltage max	24.00 V
Output voltage min.	12.00 V
Control	DALI-2 , DALI-DT8
Enviroment temprature (ta)	0 °C up to +45 °C
Measure point (tc)	max. +70 °C

Packing data	
Gross weight	0.167 kg
Length of packaging	175 mm
Packaging width	60 mm
Packaging hight	35 mm
Disposal at end of life	<p>This product must not be disposed of with household waste. You are obliged, to dispose of such electrical waste separately.</p> <p>By disposing of electrical waste and other old or defective electronics separately, you support recycling or other forms of re-use. In that way you help to take care and to avoid that harmful substances get into the environment.</p>