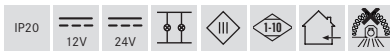
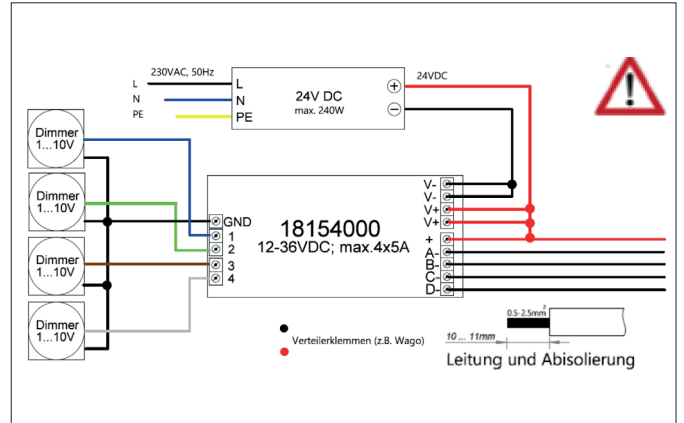




LED dimmer 12-24 V DC, dimmable
Article no. 18154000



Tender
LED dimmer 12-24 V DC, dimmable, black. Compact design for harmonious implementation in well-rounded architectural room concepts. 18154000: 1-4-channel device with max. 4 x 1-10 V inputs. The inputs can be combined with each other., Mounting method: Surface mounting, Material: Plastic, Degree of protection: according to DIN EN 60529 IP20, Protection class: (EN 61140) III, Voltage: 12V 24V, Power: 240 W, Type of dimming: 1-10 V.

| Article data | |
|-------------------|---------------------------------|
| Article no. | 18154000 |
| GTIN | 4250047799818 |
| Short description | LED dimmer 12-24 V DC, dimmable |
| Material | Plastic |
| Colour | black |
| Length | 170 mm |
| Width | 59 mm |
| Height | 30 mm |
| Weight | 0.129 kg |
| Conformance | CE, UKCA |

**LED dimmer 12-24 V DC, dimmable**

Article no. 18154000

| Operating technology of driver | |
|--------------------------------|-------------------|
| Protection class | III |
| Degree of protection | IP20 |
| Power | 1 W |
| Power max. | 240 W |
| Output voltage max | 24.00 V |
| Output voltage min. | 12.00 V |
| Control | 1-10 V |
| Environment temperature (ta) | 0 °C up to +45 °C |
| Measure point (tc) | max. +70 °C |

| Packing data | |
|-------------------------|--|
| Gross weight | 0.152 kg |
| Length of packaging | 175 mm |
| Packaging width | 60 mm |
| Packaging height | 35 mm |
| Disposal at end of life | <p>This product must not be disposed of with household waste. You are obliged, to dispose of such electrical waste separately.</p> <p>By disposing of electrical waste and other old or defective electronics separately, you support recycling or other forms of re-use. In that way you help to take care and to avoid that harmful substances get into the environment.</p> |