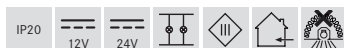
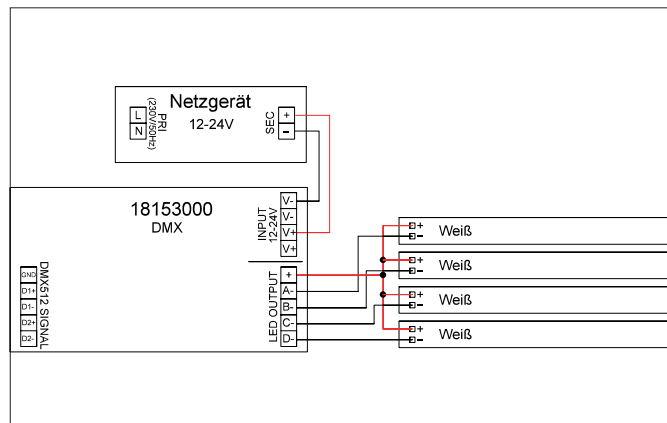


**LED dimmer 12-24 V DC, dimmable**

Article no. 18153000

**Tender**

LED dimmer 12-24 V DC, dimmable, black. Compact design for harmonious implementation in well-rounded architectural room concepts. 18153000: 1-4-channel device with 1-4 addresses (DMX). The channels (outputs) can be combined to form 1, 2, 3 or 4 addresses., Mounting method: Surface mounting, Material: Plastic, Degree of protection: according to DIN EN 60529 IP20, Protection class: (EN 61140) III, Voltage: 12V 24V, Power: 240 W, Type of dimming: DMX.

Article data	
Article no.	18153000
GTIN	4250047799801
Short description	LED dimmer 12-24 V DC, dimmable
Material	Plastic
Colour	black
Length	170 mm
Width	59 mm
Height	30 mm
Weight	0.135 kg
Conformance	CE, UKCA

**LED dimmer 12-24 V DC, dimmable**

Article no. 18153000

Operating technology of driver	
Protection class	III
Degree of protection	IP20
Power	1 W
Power max.	240 W
Output voltage max	24.00 V
Output voltage min.	12.00 V
Control	DMX
Environment temperature (ta)	0 °C up to +45 °C
Measure point (tc)	max. +70 °C

Packing data	
Gross weight	0.213 kg
Length of packaging	175 mm
Packaging width	60 mm
Packaging height	35 mm
Disposal at end of life	<p>This product must not be disposed of with household waste. You are obliged, to dispose of such electrical waste separately.</p> <p>By disposing of electrical waste and other old or defective electronics separately, you support recycling or other forms of re-use. In that way you help to take care and to avoid that harmful substances get into the environment.</p>