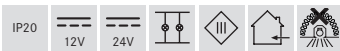
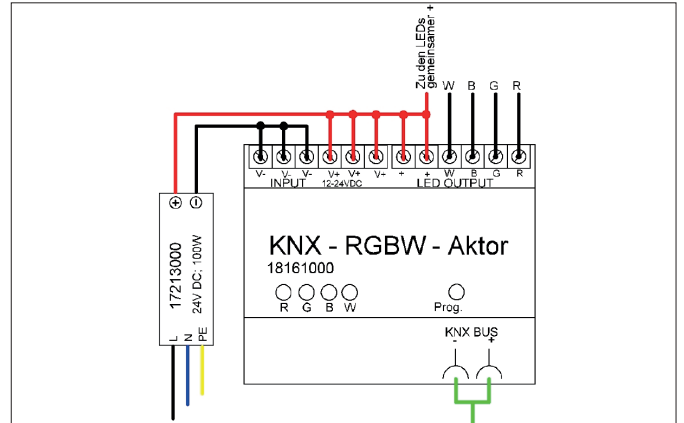




LED dimmer 12-24 V DC, dimmable
Article no. 18151000



Tender
LED dimmer 12-24 V DC, dimmable, black. Compact design for harmonious implementation in well-rounded architectural room concepts. 18 15 1000: 4-channel device with max. 4 addresses (KNX). An address is assigned to each channel (output). The KNX dimmer can be used for monochrome, RGB and RGBW lights. KNX certified device, configurable via ETS software (3.0F or higher). System application or KNX-PROD file in German for download from www.brumberg.com. Functions / objects: switching, relative dimming, absolute dimming, preset, scenes, color sequences, two preprogrammed color gradients, etc., Mounting method: Surface mounting, Material: Plastic, Degree of protection: according to DIN EN 60529 IP20, Protection class: (EN 61140) III, Voltage: 12V 24V, Power: 240 W, Type of dimming: KNX.

Article data	
Article no.	18151000
GTIN	4250047799788
Short description	LED dimmer 12-24 V DC, dimmable
Material	Plastic
Colour	black
Length	170 mm
Width	59 mm
Height	30 mm
Weight	0.141 kg
Conformance	CE, UKCA


LED dimmer 12-24 V DC, dimmable

Article no. 18151000

Operating technology of driver	
Protection class	III
Degree of protection	IP20
Power	1 W
Power max.	240 W
Output voltage max	24.00 V
Output voltage min.	12.00 V
Control	KNX
Environment temperature (ta)	0 °C up to +45 °C
Measure point (tc)	max. +70 °C

Packing data	
Gross weight	0.165 kg
Length of packaging	175 mm
Packaging width	60 mm
Packaging height	35 mm
Disposal at end of life	<p>This product must not be disposed of with household waste. You are obliged, to dispose of such electrical waste separately.</p> <p>By disposing of electrical waste and other old or defective electronics separately, you support recycling or other forms of re-use. In that way you help to take care and to avoid that harmful substances get into the environment.</p>