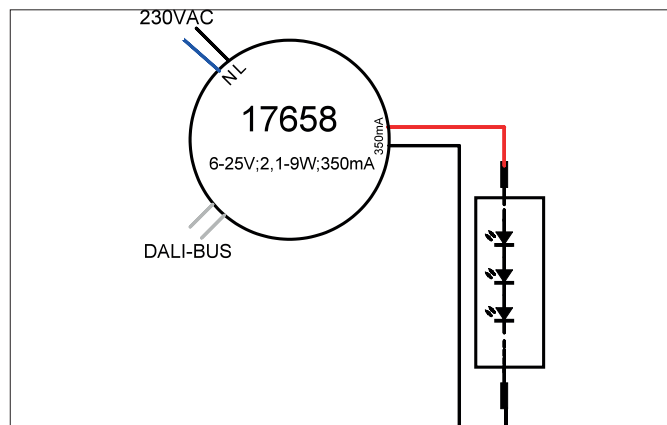
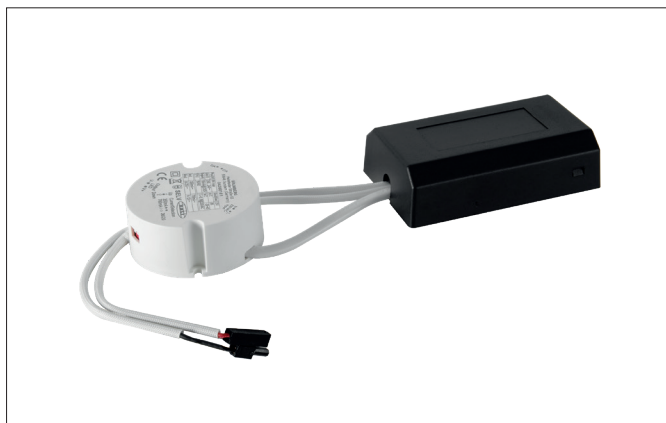



LED round converter 350 mA, DALI dimmable (digital)

Article no. 17658020


Tender

LED round converter 350 mA, DALI dimmable (digital), white, Round. Material: Plastic, Degree of protection: according to DIN EN 60529 IP20, Protection class: (EN 61140) II, Voltage: 230V AC 50Hz, Power: 9 W, Dimmable: Yes, Type of dimming: DALI-2.

Article data	
Article no.	17658020
GTIN	4251433949008
Short description	LED round converter 350 mA, DALI dimmable (digital)
Material	Plastic
Colour	white
Shape	Round
Outer diameter	56 mm
Hight	25 mm
Scope of delivery	Plug&Play-Ausgangsleitung, Länge 110 mm mit Anschlussbox
Weight	0.085 kg
Length of the connection line	100 mm
Conformance	CE


LED round converter 350 mA, DALI dimmable (digital)

Article no. 17658020

Operating technology of driver	
AC nominal voltage min	200 V
AC nominal voltage max	240 V
Frequency min	47 Hz
Frequency max	63 Hz
Protection class	II
Degree of protection	IP20
Power	2.1 W
Power max.	9 W
Starting current	2 A
Suitable for emergency lighting	No
measure point (tc)	85 °C
Version	Plug&Play + connection box
Power factor	0.9
Output voltage max	25.00 V
Output voltage min.	6.00 V
Control	DALI-2 , PUSH-Dimm
Number of poles	2
Environment temperature (ta)	-20 °C up to +45 °C
Measure point (tc)	max. +85 °C
Output current	350 mA
Length of the connection line	100 mm

Packing data	
Gross weight	0.135 kg
Length of packaging	100 mm
Packaging width	100 mm
Packaging height	100 mm
Disposal at end of life	<p>This product must not be disposed of with household waste. You are obliged, to dispose of such electrical waste separately.</p> <p>By disposing of electrical waste and other old or defective electronics separately, you support recycling or other forms of re-use. In that way you help to take care and to avoid that harmful substances get into the environment.</p>