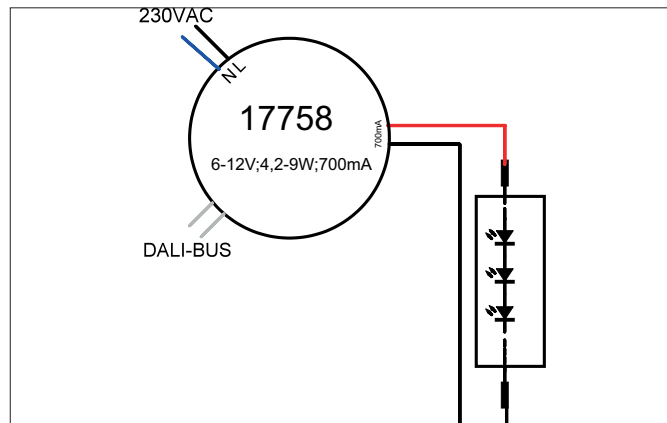




**LED round converter 700 mA, DALI dimmable (digital)**

Article no. 17758010



**Tender**  
 LED round converter 700 mA, DALI dimmable (digital), white, Round. Material: Plastic, Degree of protection: according to DIN EN 60529 IP20, Protection class: (EN 61140) II, Voltage: 230V AC 50Hz, Power: 9 W, Dimmable: Yes, Type of dimming: DALI-2.

Article data	
Article no.	17758010
GTIN	4251433949046
Short description	LED round converter 700 mA, DALI dimmable (digital)
Material	Plastic
Colour	white
Shape	Round
Outer diameter	56 mm
Hight	25 mm
Weight	0.07 kg
Length of the connection line	100 mm
Conformance	CE


**LED round converter 700 mA, DALI dimmable (digital)**

Article no. 17758010

Operating technology of driver	
AC nominal voltage min	200 V
AC nominal voltage max	240 V
Frequency min	47 Hz
Frequency max	63 Hz
Protection class	II
Degree of protection	IP20
Power	4.2 W
Power max.	9 W
Starting current	2 A
Suitable for emergency lighting	No
measure point (tc)	85 °C
Version	without
Power factor	0.9
Output voltage max	12.00 V
Output voltage min.	6.00 V
Control	DALI-2 , PUSH-Dimm
Number of poles	4
Environment temperature (ta)	-20 °C up to +45 °C
Measure point (tc)	max. +85 °C
Output current	700 mA
Length of the connection line	100 mm
Safety devices against overvoltage	yes
Safety devices against thermal overload	yes
Safety devices against electrical overload	yes

Packing data	
Gross weight	0.09 kg
Length of packaging	70 mm
Packaging width	47 mm
Packaging height	81 mm
Disposal at end of life	<p>This product must not be disposed of with household waste. You are obliged, to dispose of such electrical waste separately.</p> <p>By disposing of electrical waste and other old or defective electronics separately, you support recycling or other forms of re-use. In that way you help to take care and to avoid that harmful substances get into the environment.</p>