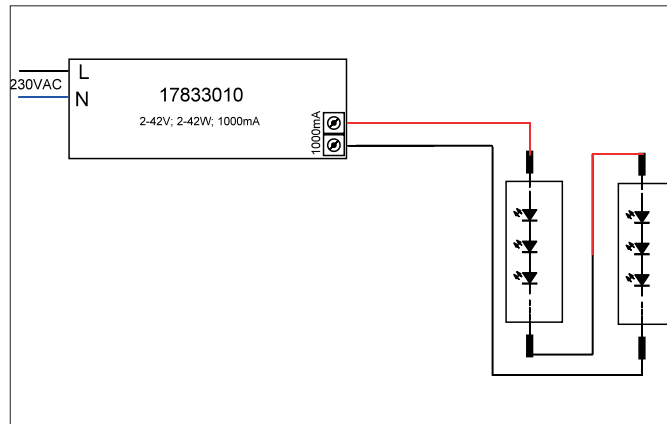




**LED converter 1.000 mA, on/off switchable**

Article no. 17833010



**Tender**  
LED converter 1.000 mA, on/off switchable, white, Rectangular. Material: Plastic, Degree of protection: according to DIN EN 60529 IP20, Protection class: (EN 61140) II, Voltage: 230V AC 50Hz , Power: 42 W, Dimmable: No, Type of dimming: on/off.

| Article data      |   |
|-------------------|---|
| Article no.       | 17833010                                  |
| GTIN              | 4251433924197                             |
| Short description | LED converter 1.000 mA, on/off switchable |
| Material          | Plastic                                   |
| Colour            | white                                     |
| Shape             | Rectangular                               |
| Length            | 146.5 mm                                  |
| Width             | 43.5 mm                                   |
| Hight             | 30 mm                                     |
| Weight            | 0.146 kg                                  |
| stamp             | ENEC 05, EL                               |
| Conformance       | CE  |


**LED converter 1.000 mA, on/off switchable**

Article no. 17833010

| Operating technology of driver          |                     |
|---|---------------------|
| AC nominal voltage min                  | 198 V               |
| AC nominal voltage max                  | 264 V               |
| Frequency min                           | 47 Hz               |
| Frequency max                           | 63 Hz               |
| DC nominal voltage min                  | 176 V               |
| DC nominal voltage max                  | 275 V               |
| Protection class                        | II                  |
| Degree of protection                    | IP20                |
| Power                                   | 2 W                 |
| Power max.                              | 42 W                |
| Output_ripple_current                   | 3                   |
| Starting current                        | 5 A, 50 µs          |
| Suitable for emergency lighting         | No                  |
| measure point (tc)                      | 80 °C               |
| Version                                 | without             |
| Power factor                            | 0.95                |
| max. no. lights on B16 A                | 50                  |
| Output voltage max                      | 42.00 V             |
| Output voltage min.                     | 3.00 V              |
| Flicker value Pst LM                    | 1.00                |
| Control                                 | on/off              |
| Number of poles                         | 2                   |
| Environment temperature (ta)            | -25 °C up to +40 °C |
| Measure point (tc)                      | max. +80 °C         |
| Output current                          | 1.000 mA            |
| Safety devices against thermal overload | yes                 |

| Packing data            |  |
|-------------------------|--|
| Gross weight            | 0.167 kg   |
| Length of packaging     | 45 mm  |
| Packaging width         | 35 mm  |
| Packaging height        | 190 mm   |
| Disposal at end of life | <p>This product must not be disposed of with household waste. You are obliged, to dispose of such electrical waste separately.</p> <p>By disposing of electrical waste and other old or defective electronics separately, you support recycling or other forms of re-use. In that way you help to take care and to avoid that harmful substances get into the environment.</p> |