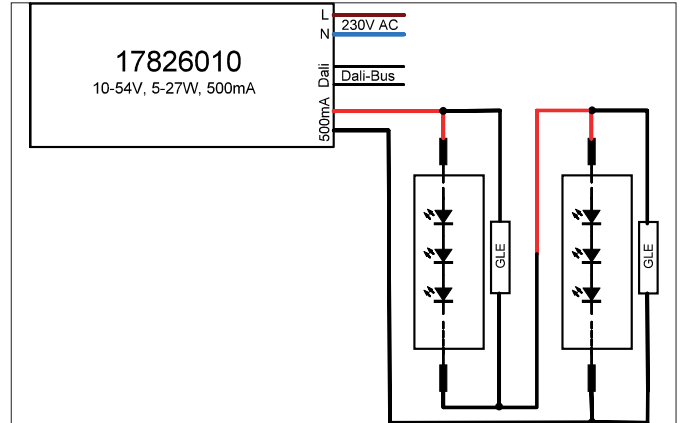




LED converter 500 mA, DALI dimmable (digital)
 Article no. 17826010



Tender
 LED converter 500 mA, DALI dimmable (digital), white, Rectangular. Material: Plastic, Degree of protection: according to DIN EN 60529 IP20, Protection class: (EN 61140) II, Voltage: 230V AC 50Hz , Power: 27 W, Dimmable: Yes, Type of dimming: DALI-2/PUSH.

Article data	
Article no.	17826010
GTIN	4251433924227
Short description	LED converter 500 mA, DALI dimmable (digital)
Material	Plastic
Colour	white
Shape	Rectangular
Length	146.5 mm
Width	44 mm
Hight	30 mm
Weight	0.14 kg
stamp	ENEC 05, EL
Conformance	CE, UKCA


LED converter 500 mA, DALI dimmable (digital)

Article no. 17826010

Operating technology of driver	
AC nominal voltage min	198 V
AC nominal voltage max	264 V
Frequency min	47 Hz
Frequency max	63 Hz
DC nominal voltage min	176 V
DC nominal voltage max	275 V
Protection class	II
Degree of protection	IP20
Power	5 W
Power max.	27 W
Output_ripple_current	3
Starting current	5 A, 50 µs
Suitable for emergency lighting	No
measure point (tc)	85 °C
Version	without
Power factor	0.95
Output voltage max	54.00 V
Output voltage min.	10.00 V
Control	DALI-2/PUSH
Number of poles	4
Environment temperature (ta)	-25 °C up to +45 °C
Measure point (tc)	max. +85 °C
Output current	500 mA
Safety devices against thermal overload	yes

Packing data	
Gross weight	0.161 kg
Length of packaging	45 mm
Packaging width	35 mm
Packaging height	190 mm
Disposal at end of life	<p>This product must not be disposed of with household waste. You are obliged, to dispose of such electrical waste separately.</p> <p>By disposing of electrical waste and other old or defective electronics separately, you support recycling or other forms of re-use. In that way you help to take care and to avoid that harmful substances get into the environment.</p>