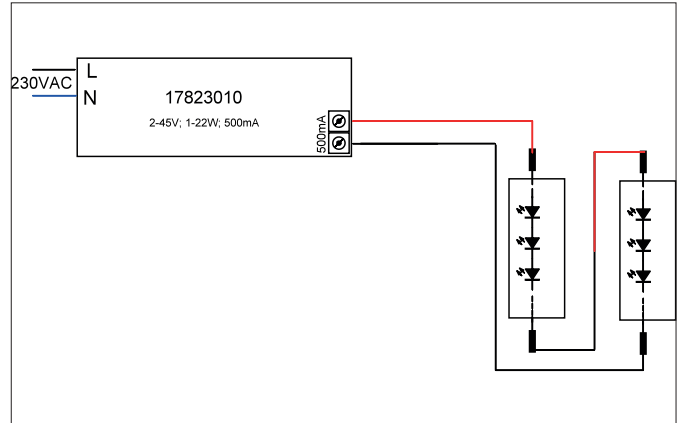


**LED converter 500 mA, on/off switchable**  
Article no. 17823010



**Tender**  
LED converter 500 mA, on/off switchable, white, Rectangular. Material: Plastic, Degree of protection: according to DIN EN 60529 IP20, Protection class: (EN 61140) II, Voltage: 230V AC 50Hz, Power: 22 W, Dimmable: No, Type of dimming: on/off.

Article data	
Article no.	17823010
GTIN	4251433924012
Short description	LED converter 500 mA, on/off switchable
Material	Plastic
Colour	white
Shape	Rectangular
Length	146.5 mm
Width	43.5 mm
Hight	30 mm
Weight	0.148 kg
stamp	ENEC 05, EL
Conformance	CE


**LED converter 500 mA, on/off switchable**

Article no. 17823010

Operating technology of driver	
AC nominal voltage min	198 V
AC nominal voltage max	264 V
Frequency min	47 Hz
Frequency max	63 Hz
DC nominal voltage min	176 V
DC nominal voltage max	275 V
Protection class	II
Degree of protection	IP20
Power	1 W
Power max.	22 W
Output_ripple_current	3
Starting current	5 A, 50 µs
Suitable for emergency lighting	No
measure point (tc)	80 °C
Version	ohne Konfektionierung
Power factor	0.95
max. no. lights on B16 A	50
Output voltage max	44.00 V
Output voltage min.	3.00 V
Flicker value Pst LM	1.00
Control	on/off
Environment temperature (ta)	-25 °C up to +40 °C
Measure point (tc)	max. +80 °C
Output current	500 mA
Safety devices against thermal overload	yes

Packing data	
Gross weight	0.169 kg
Length of packaging	45 mm
Packaging width	35 mm
Packaging height	190 mm
Disposal at end of life	<p>This product must not be disposed of with household waste. You are obliged, to dispose of such electrical waste separately.</p> <p>By disposing of electrical waste and other old or defective electronics separately, you support recycling or other forms of re-use. In that way you help to take care and to avoid that harmful substances get into the environment.</p>