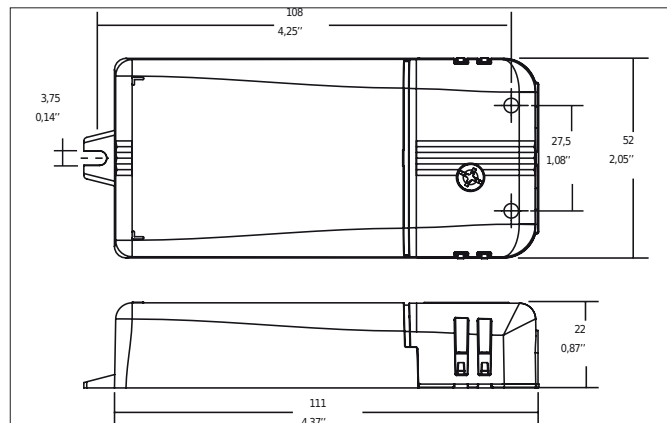




**LED converter 350 mA, DALI dimmable (digital)**

Article no. 17683010



**Tender**

LED converter 350 mA, DALI dimmable (digital), white, Rectangular. Material: Plastic, Degree of protection: according to DIN EN 60529 IP20, Protection class: (EN 61140) II, Voltage: 230 V AC 50 Hz , Power: 17 W, Dimmable: Yes, Type of dimming: DALI-2.

Article data	
Article no.	17683010
GTIN	4251433923909
Short description	LED converter 350 mA, DALI dimmable (digital)
Material	Plastic
Colour	white
Shape	Rectangular
Length	110.5 mm
Width	52 mm
Hight	22 mm
Weight	0.116 kg
stamp	ENEC 05, EL
Conformance	CE, UKCA


**LED converter 350 mA, DALI dimmable (digital)**

Article no. 17683010

Operating technology of driver	
AC nominal voltage min	99 V
AC nominal voltage max	264 V
Frequency min	47 Hz
Frequency max	63 Hz
DC nominal voltage min	176 V
DC nominal voltage max	280 V
Protection class	II
Degree of protection	IP20
Power	3.5 W
Power max.	17 W
Output_ripple_current	3
Starting current	5 A, 50 µs
Suitable for emergency lighting	Yes
measure point (tc)	75 °C
Version	without
Power factor	0.95
max. no. lights on B16 A	50
Output voltage max	49.00 V
Output voltage min.	10.00 V
Control	DALI-2
Number of poles	4
Environment temperature (ta)	-25 °C up to +45 °C
Measure point (tc)	max. +75 °C
Output current	350 mA
Safety devices against thermal overload	yes

Packing data	
Gross weight	0.135 kg
Length of packaging	60 mm
Packaging width	27 mm
Packaging height	150 mm
Disposal at end of life	<p>This product must not be disposed of with household waste. You are obliged, to dispose of such electrical waste separately.</p> <p>By disposing of electrical waste and other old or defective electronics separately, you support recycling or other forms of re-use. In that way you help to take care and to avoid that harmful substances get into the environment.</p>