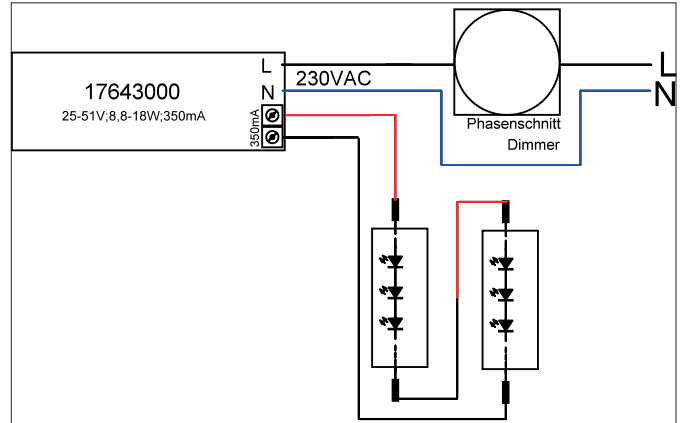




LED converter 350 mA, trailing-edge phase dimmable
 Article no. 17643010



Tender
 LED converter 350 mA, trailing-edge phase dimmable, white, Rectangular. Material: Plastic, Degree of protection: according to DIN EN 60529 IP20, Protection class: (EN 61140) II, Voltage: 230V AC 50Hz, Power: 18 W, Dimmable: Yes, Type of dimming: Trailing-edge phase.

Article data	
Article no.	17643010
GTIN	4251433923930
Short description	LED converter 350 mA, trailing-edge phase dimmable
Material	Plastic
Colour	white
Shape	Rectangular
Length	110.5 mm
Width	52 mm
Hight	22 mm
Weight	0.106 kg
stamp	ENEC 05
Conformance	CE


LED converter 350 mA, trailing-edge phase dimmable

Article no. 17643010

Operating technology of driver	
AC nominal voltage min	198 V
AC nominal voltage max	264 V
Frequency min	47 Hz
Frequency max	63 Hz
Protection class	II
Degree of protection	IP20
Power	8.8 W
Power max.	18 W
Output_ripple_current	20
Starting current	2 A, 50 µs
Suitable for emergency lighting	No
measure point (tc)	75 °C
Version	without
Power factor	0.95
max. no. lights on B16 A	50
Output voltage max	51.00 V
Output voltage min.	25.00 V
Flicker value Pst LM	1.00
Control	Trailing-edge phase
Number of poles	2
Environment temperature (ta)	-25 °C up to +50 °C
Measure point (tc)	max. +75 °C
Output current	350 mA
Safety devices against thermal overload	yes

Packing data	
Gross weight	0.125 kg
Length of packaging	60 mm
Packaging width	27 mm
Packaging height	150 mm
Disposal at end of life	<p>This product must not be disposed of with household waste. You are obliged, to dispose of such electrical waste separately.</p> <p>By disposing of electrical waste and other old or defective electronics separately, you support recycling or other forms of re-use. In that way you help to take care and to avoid that harmful substances get into the environment.</p>