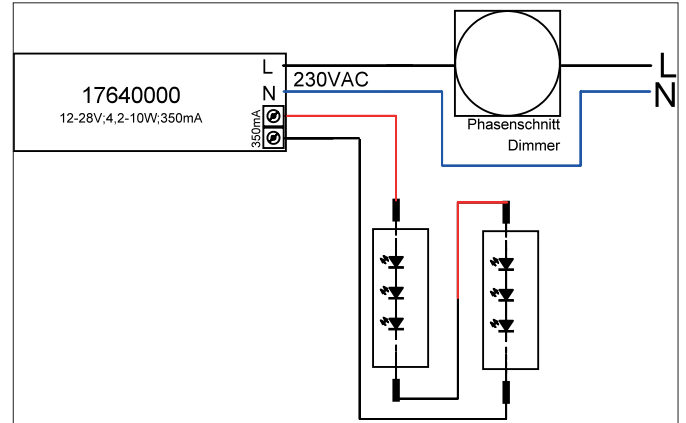




LED converter 350 mA, trailing-edge phase dimmable
Article no. 17640020



Tender
LED converter 350 mA, trailing-edge phase dimmable, white, Rectangular. Material: Plastic, Degree of protection: according to DIN EN 60529 IP20, Protection class: (EN 61140) II, Voltage: 230V AC 50Hz, Power: 10 W, Dimmable: Yes, Type of dimming: Trailing-edge phase.

Article data	
Article no.	17640020
GTIN	4251433923879
Short description	LED converter 350 mA, trailing-edge phase dimmable
Material	Plastic
Colour	white
Shape	Rectangular
Length	102 mm
Width	38 mm
Hight	21 mm
Scope of delivery	Plug&Play-Ausgangsleitung, Länge 110 mm und Anschlussbox
Weight	0.112 kg
stamp	ENEC 05
Conformance	CE, UKCA


LED converter 350 mA, trailing-edge phase dimmable
 Article no. 17640020

Operating technology of driver	
AC nominal voltage min	198 V
AC nominal voltage max	264 V
Frequency min	47 Hz
Frequency max	63 Hz
Protection class	II
Degree of protection	IP20
Power	4.2 W
Power max.	10 W
Output_ripple_current	20
Starting current	2 A, 50 µs
Suitable for emergency lighting	No
measure point (tc)	70 °C
Version	Plug&Play + connection box
Power factor	0.95
max. no. lights on B16 A	50
Output voltage max	28.00 V
Output voltage min.	8.50 V
Flicker value Pst LM	1.00
Control	Trailing-edge phase
Number of poles	2
Environment temperature (ta)	-25 °C up to +45 °C
Measure point (tc)	max. +70 °C
Output current	350 mA
Safety devices against thermal overload	yes

Packing data	
Gross weight	0.145 kg
Length of packaging	90 mm
Packaging width	55 mm
Packaging height	109 mm
Disposal at end of life	<p>This product must not be disposed of with household waste. You are obliged, to dispose of such electrical waste separately.</p> <p>By disposing of electrical waste and other old or defective electronics separately, you support recycling or other forms of re-use. In that way you help to take care and to avoid that harmful substances get into the environment.</p>