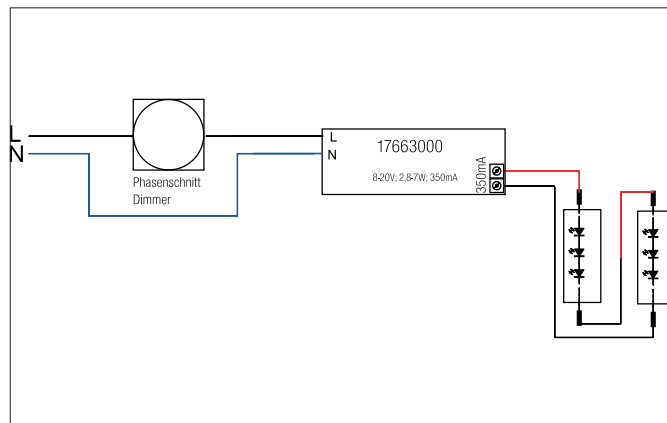
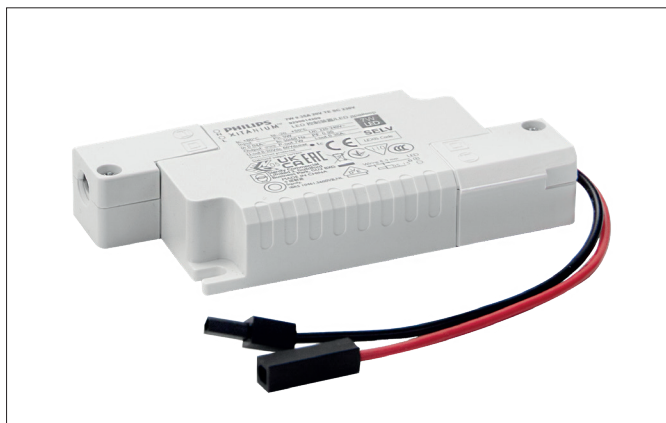




**LED converter 350 mA, trailing-edge phase dimmable**

Article no. 17663000



**Tender**

LED converter 350 mA, trailing-edge phase dimmable, white, Rectangular. Material: Plastic, Degree of protection: according to DIN EN 60529 IP20, Protection class: (EN 61140) II, Voltage: 230V AC 50Hz, Power: 7 W, Dimmable: Yes, Type of dimming: Trailing-edge phase.

| Article data      |  |
|-------------------|--|
| Article no.       | 17663000   |
| GTIN              | 4251433918455                                      |
| Short description | LED converter 350 mA, trailing-edge phase dimmable |
| Material          | Plastic  |
| Colour            | white  |
| Shape             | Rectangular  |
| Length            | 110 mm   |
| Width             | 50 mm  |
| Height            | 19 mm  |
| Scope of delivery | Plug&Play-Ausgangsleitung, Länge 110 mm            |
| Weight            | 0.059 kg   |
| stamp             | ENEC 05  |
| Conformance       | CE   |


**LED converter 350 mA, trailing-edge phase dimmable**

Article no. 17663000

| Operating technology of driver  |                     |
|---------------------------------|---------------------|
| AC nominal voltage min          | 198 V               |
| AC nominal voltage max          | 264 V               |
| Frequency min                   | 47 Hz               |
| Frequency max                   | 63 Hz               |
| Protection class                | II                  |
| Degree of protection            | IP20                |
| Power                           | 2.8 W               |
| Power max.                      | 7 W                 |
| Output_ripple_current           | 20                  |
| Starting current                | 1 A, 15,2 $\mu$ s   |
| Suitable for emergency lighting | No                  |
| measure point (tc)              | 70 °C               |
| Version                         | Plug&Play           |
| Power factor                    | 0.9                 |
| max. no. lights on B16 A        | 250                 |
| Output voltage max              | 20.00 V             |
| Output voltage min.             | 8.00 V              |
| Flicker value Pst LM            | 1.00                |
| Control                         | Trailing-edge phase |
| Number of poles                 | 2                   |
| Flicker-free                    | Yes                 |
| Environment temperature (ta)    | -20°C up to +50°C   |
| Measure point (tc)              | max. +80 °C         |
| Average nominal lifespan        | 50000 h             |
| Output current                  | 350 mA              |
| Efficiency                      | 0.78 %              |

| Packing data            |  |
|-------------------------|--|
| Gross weight            | 0.078 kg   |
| Length of packaging     | 60 mm  |
| Packaging width         | 27 mm  |
| Packaging height        | 150 mm   |
| Disposal at end of life | <p>This product must not be disposed of with household waste. You are obliged, to dispose of such electrical waste separately.</p> <p>By disposing of electrical waste and other old or defective electronics separately, you support recycling or other forms of re-use. In that way you help to take care and to avoid that harmful substances get into the environment.</p> |