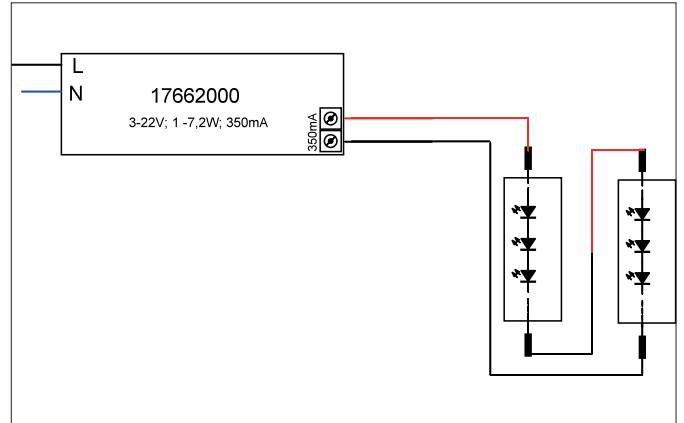




LED converter 350 mA, on/off switchable
 Article no. 17662010



Tender
 LED converter 350 mA, on/off switchable, black, Rectangular. Material: Plastic, Degree of protection: according to DIN EN 60529 IP20, Protection class: (EN 61140) II, Voltage: 230V AC 50Hz, Power: 7,2 W, Dimmable: No, Type of dimming: on/off.

Article data	
Article no.	17662010
GTIN	4251433918394
Short description	LED converter 350 mA, on/off switchable
Material	Plastic
Colour	black
Shape	Rectangular
Width	35 mm
Height	21 mm
Weight	0.038 kg
Conformance	CE


LED converter 350 mA, on/off switchable

Article no. 17662010

Operating technology of driver	
AC nominal voltage min	90 V
AC nominal voltage max	264 V
Frequency min	47 Hz
Frequency max	63 Hz
Protection class	II
Degree of protection	IP20
Power	1 W
Power max.	7.2 W
Output_ripple_current	50
Starting current	40 A, 50 μ s
Suitable for emergency lighting	No
measure point (tc)	75 °C
Version	without
Power factor	0.4
Output voltage max	22.00 V
Output voltage min.	3.00 V
Control	on/off
Number of poles	2
Flicker-free	Yes
Environment temperature (ta)	-20°C up to +50°C
Measure point (tc)	max. +75 °C
Average nominal lifespan	35000 h
Output current	350 mA

Packing data	
Gross weight	0.052 kg
Length of packaging	45 mm
Packaging width	40 mm
Packaging height	80 mm
Disposal at end of life	<p>This product must not be disposed of with household waste. You are obliged, to dispose of such electrical waste separately.</p> <p>By disposing of electrical waste and other old or defective electronics separately, you support recycling or other forms of re-use. In that way you help to take care and to avoid that harmful substances get into the environment.</p>