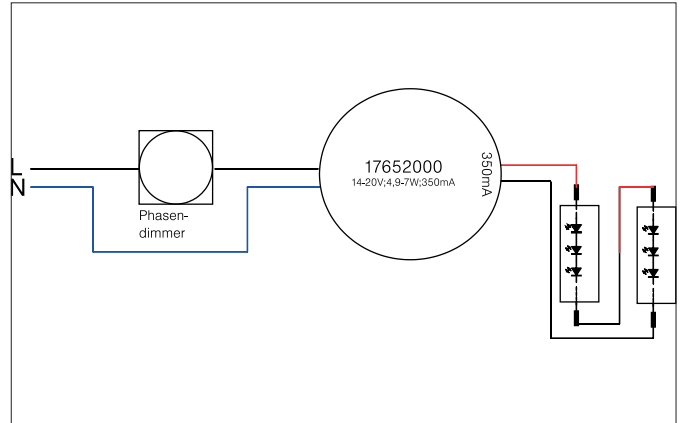


LED-round converter 350 mA, trailing-edge phase dimmer
Article no. 17652020



Tender
LED-round converter 350 mA, trailing-edge phase dimmer, white, Round. Lamp holder: Plug&Play, Material: Plastic, Degree of protection: according to DIN EN 60529 IP20, Protection class: (EN 61140) II, Voltage: 230V AC 50Hz, Power: 7 W, Dimmable: Yes, Type of dimming: Trailing-edge phase.

Article data	
Article no.	17652020
GTIN	4251433918707
Short description	LED-round converter 350 mA, trailing-edge phase dimmer
Material	Plastic
Colour	white
Shape	Round
Outer diameter	51 mm
Height	24 mm
Scope of delivery	Plug&Play-Ausgangsleitung, Länge 110 mm und Anschlussbox
Weight	0.087 kg
Length of the connection line	110 mm
Conformance	CE


LED-round converter 350 mA, trailing-edge phase dimmer

Article no. 17652020

Operating technology of driver	
AC nominal voltage min	200 V
AC nominal voltage max	264 V
Frequency min	47 Hz
Frequency max	63 Hz
Protection class	II
Degree of protection	IP20
Power	4.9 W
Power max.	7 W
Starting current	3 A, 100 μ s
Suitable for emergency lighting	No
measure point (tc)	85 °C
Version	Plug&Play + connection box
Power factor	0.5
Output voltage max	20.00 V
Output voltage min.	14.00 V
Control	Trailing-edge phase
Number of poles	2
Flicker-free	Yes
Environment temperature (ta)	-20°C up to +50°C
Measure point (tc)	max. +85 °C
Average nominal lifespan	30000 h
Output current	350 mA
Length of the connection line	110 mm

Packing data	
Gross weight	0.124 kg
Length of packaging	95 mm
Packaging width	75 mm
Packaging height	95 mm
Disposal at end of life	<p>This product must not be disposed of with household waste. You are obliged, to dispose of such electrical waste separately.</p> <p>By disposing of electrical waste and other old or defective electronics separately, you support recycling or other forms of re-use. In that way you help to take care and to avoid that harmful substances get into the environment.</p>