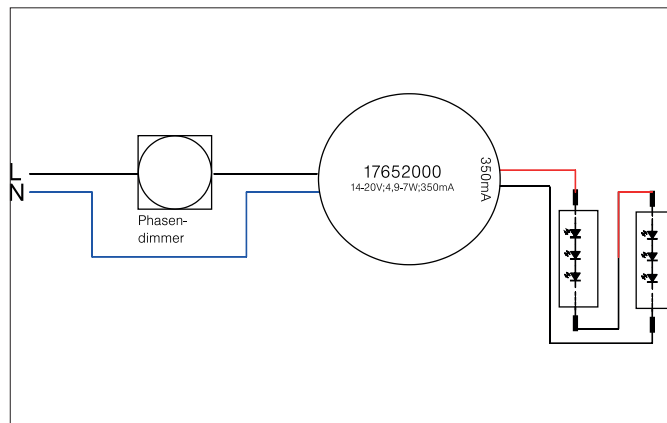
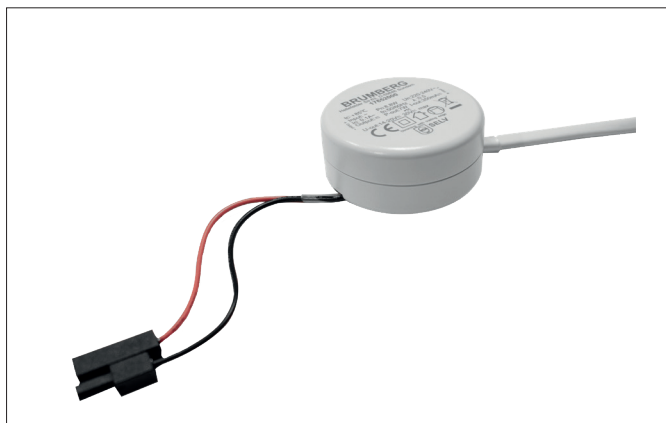




## LED-round converter 350 mA, trailing-edge phase dimmer

Article no. 17652000



### Tender

LED-round converter 350 mA, trailing-edge phase dimmer, white, Round. Lamp holder: Plug&Play, Material: Plastic, Degree of protection: according to DIN EN 60529 IP20, Protection class: (EN 61140) II, Voltage: 230V AC 50Hz, Power: 7 W, Dimmable: Yes, Type of dimming: Trailing-edge phase.

Article data	
Article no.	17652000
GTIN	4251433916581
Short description	LED-round converter 350 mA, trailing-edge phase dimmer
Material	Plastic
Colour	white
Shape	Round
Outer diameter	51 mm
Height	24 mm
Scope of delivery	Plug&Play-Ausgangsleitung, Länge 110 mm
Weight	0.047 kg
Length of the connection line	110 mm
Conformance	CE


**LED-round converter 350 mA, trailing-edge phase dimmer**

Article no. 17652000

Operating technology of driver	
AC nominal voltage min	200 V
AC nominal voltage max	264 V
Frequency min	47 Hz
Frequency max	63 Hz
Protection class	II
Degree of protection	IP20
Power	4.9 W
Power max.	7 W
Starting current	3 A, 100 µs
Suitable for emergency lighting	No
measure point (tc)	85 °C
Version	Plug&Play
Power factor	0.5
Output voltage max	20.00 V
Output voltage min.	14.00 V
Control	Trailing-edge phase
Number of poles	2
Flicker-free	Yes
Environment temperature (ta)	-20°C up to +50°C
Measure point (tc)	max. +85 °C
Average nominal lifespan	30000 h
Output current	350 mA
Length of the connection line	110 mm

Packing data	
Gross weight	0.063 kg
Length of packaging	70 mm
Packaging width	47 mm
Packaging height	81 mm
Disposal at end of life	<p>This product must not be disposed of with household waste. You are obliged, to dispose of such electrical waste separately.</p> <p>By disposing of electrical waste and other old or defective electronics separately, you support recycling or other forms of re-use. In that way you help to take care and to avoid that harmful substances get into the environment.</p>