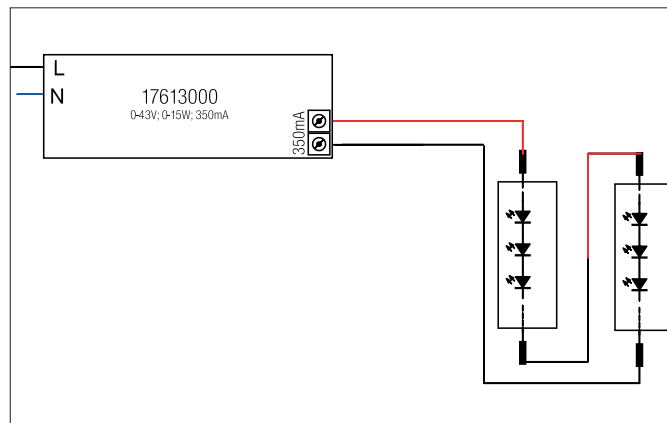
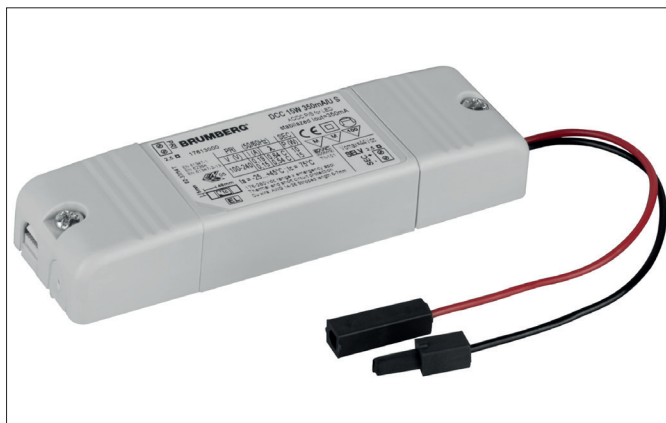




LED converter 350 mA, on/off switchable

Article no. 17613000



Tender

LED converter 350 mA, on/off switchable, white, Rectangular. Material: Plastic, Degree of protection: according to DIN EN 60529 IP20, Protection class: (EN 61140) II, Voltage: 230V AC 50Hz, Power: 15 W, Dimmable: No, Type of dimming: on/off.

Article data	
Article no.	17613000
GTIN	4250047778721
Short description	LED converter 350 mA, on/off switchable
Material	Plastic
Colour	white
Shape	Rectangular
Length	115 mm
Width	34 mm
Height	19 mm
Scope of delivery	Plug&Play version with 110 mm P&P output cable
Weight	0.07 kg
stamp	ENEC 05, EL
Conformance	CE, UKCA


LED converter 350 mA, on/off switchable

Article no. 17613000

Operating technology of driver	
AC nominal voltage min	90 V
AC nominal voltage max	264 V
Frequency min	47 Hz
Frequency max	63 Hz
DC nominal voltage min	176 V
DC nominal voltage max	275 V
Protection class	II
Degree of protection	IP20
Power	1 W
Power max.	15 W
Starting current	27 A, 250 µs
Suitable for emergency lighting	Yes
measure point (tc)	75 °C
Version	Plug&Play
max. no. lights on B16 A	27
Output voltage max	43.00 V
Output voltage min.	2.00 V
Flicker value Pst LM	1.00
Control	on/off
Number of poles	2
Environment temperature (ta)	-25 °C up to +45 °C
Measure point (tc)	max. +75 °C
Output current	350 mA

Packing data	
Gross weight	0.089 kg
Length of packaging	60 mm
Packaging width	27 mm
Packaging height	150 mm
Disposal at end of life	<p>This product must not be disposed of with household waste. You are obliged, to dispose of such electrical waste separately.</p> <p>By disposing of electrical waste and other old or defective electronics separately, you support recycling or other forms of re-use. In that way you help to take care and to avoid that harmful substances get into the environment.</p>