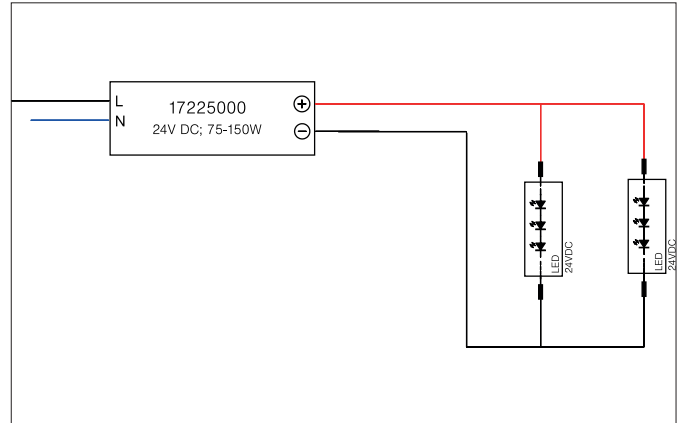




LED power supply 24 V DC, on/off switchable
 Article no. 17225000



Tender
 LED power supply 24 V DC, on/off switchable, silver, Rectangular. Material: Aluminium, Degree of protection: according to DIN EN 60529 IP65, Protection class: (EN 61140) I, Voltage: 24 V DC, Power: 150 W, Dimmable: No, Type of dimming: on/off.

Article data	
Article no.	17225000
GTIN	4251433913016
Short description	LED power supply 24 V DC, on/off switchable
Material	Aluminium
Colour	silver
Shape	Rectangular
Length	219 mm
Width	63 mm
Height	36 mm
Weight	0.868 kg
Length of the connection line	300 mm
stamp	ENEC 05
Conformance	CE


LED power supply 24 V DC, on/off switchable

Article no. 17225000

Operating technology of driver	
AC nominal voltage min	200 V
AC nominal voltage max	305 V
Frequency min	47 Hz
Frequency max	63 Hz
DC nominal voltage min	142 V
DC nominal voltage max	431 V
Protection class	I
Degree of protection	IP65
Power	1 W
Power max.	150 W
Output_ripple_current	200
Starting current	65 A, 550 µs
Suitable for emergency lighting	No
measure point (tc)	90 °C
Power factor	0.95
max. no. lights on B16 A	3
max. no. lights on C16 A	6
Output voltage max	26.40 V
Output voltage min.	21.60 V
Control	on/off
Connection type-primary	Cable
Connection type-secondary	Open ends
Number of poles	3
Environment temperature (ta)	0 °C up to +40 °C
Measure point (tc)	max. +90 °C
Average nominal lifespan	100000 h
Output current	6,25 mA
Length of the connection line	300 mm

Packing data	
Gross weight	0.915 kg
Length of packaging	275 mm
Packaging width	85 mm
Packaging height	45 mm
Disposal at end of life	<p>This product must not be disposed of with household waste. You are obliged, to dispose of such electrical waste separately.</p> <p>By disposing of electrical waste and other old or defective electronics separately, you support recycling or other forms of re-use. In that way you help to take care and to avoid that harmful substances get into the environment.</p>