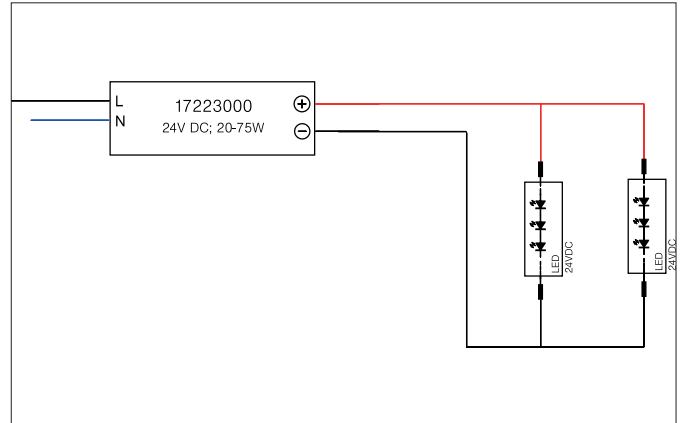




**LED power supply 24 V DC, on/off switchable**  
 Article no. 17223000



**Tender**  
 LED power supply 24 V DC, on/off switchable, white, Rectangular. Material: Plastic, Degree of protection: according to DIN EN 60529 IP20, Protection class: (EN 61140) II, Voltage: 230V AC 50Hz, Power: 75 W, Type of dimming: on/off.

Article data	
Article no.	17223000
GTIN	4251433913047
Short description	LED power supply 24 V DC, on/off switchable
Material	Plastic
Colour	white
Shape	Rectangular
Length	185 mm
Width	60 mm
Height	31 mm
Weight	0.304 kg
Conformance	CE


**LED power supply 24 V DC, on/off switchable**

Article no. 17223000

Operating technology of driver	
AC nominal voltage min	198 V
AC nominal voltage max	264 V
Frequency min	47 Hz
Frequency max	63 Hz
Protection class	II
Degree of protection	IP20
Power	1 W
Power max.	75 W
Starting current	35 A, 250 µs
Suitable for emergency lighting	No
measure point (tc)	85 °C
Power factor	0.95
Output voltage max	24.00 V
Output voltage min.	24.00 V
Control	on/off
Connection type-primary	Screw-in connection
Connection type-secondary	Screwed terminal
Number of poles	2
Environment temperature (ta)	-20°C up to +50°C
Measure point (tc)	max. +85 °C
Average nominal lifespan	50000 h

Packing data	
Gross weight	0.322 kg
Length of packaging	210 mm
Packaging width	65 mm
Packaging height	35 mm
Disposal at end of life	<p>This product must not be disposed of with household waste. You are obliged, to dispose of such electrical waste separately.</p> <p>By disposing of electrical waste and other old or defective electronics separately, you support recycling or other forms of re-use. In that way you help to take care and to avoid that harmful substances get into the environment.</p>