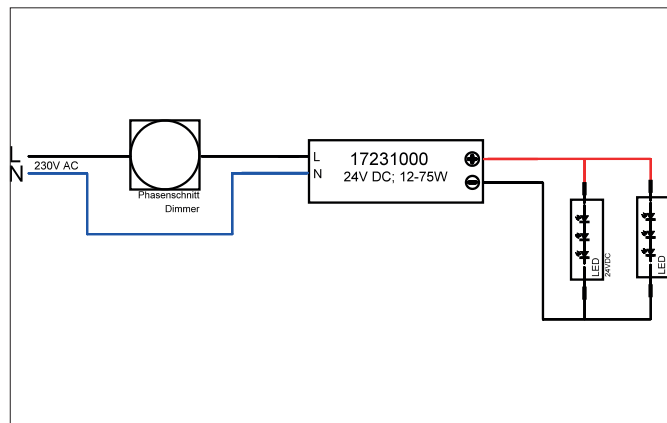




## LED power supply 24 V DC, dimmable

Article no. 17231000



### Tender

LED power supply 24 V DC, dimmable, white, Rectangular. Material: Plastic, Degree of protection: according to DIN EN 60529 IP20, Protection class: (EN 61140) II, Voltage: 24 V DC, Power: 75 W, Dimmable: Yes, Type of dimming: Trailing-edge phase.

Article data	
Article no.	17231000
GTIN	4251433938453
Short description	LED power supply 24 V DC, dimmable
Material	Plastic
Colour	white
Shape	Rectangular
Length	185 mm
Width	60 mm
Height	31 mm
Weight	0.48 kg
stamp	ENEC
Conformance	CE


**LED power supply 24 V DC, dimmable**

Article no. 17231000

Operating technology of driver	
AC nominal voltage min	198 V
AC nominal voltage max	264 V
Frequency min	47 Hz
Frequency max	63 Hz
Protection class	II
Degree of protection	IP20
Power	12 W
Power max.	75 W
Output_ripple_current	300
Starting current	30 A, 300 $\mu$ s
Suitable for emergency lighting	No
measure point (tc)	80 °C
Power factor	0.95
max. no. lights on B10 A	9
max. no. lights on B16 A	14
Output voltage max	24.00 V
Output voltage min.	24.00 V
Control	Trailing-edge phase
Connection type-primary	Screw-in connection
Connection type-secondary	Screwed terminal
Number of poles	3
Environment temperature (ta)	-10 °C up to +45 °C
Average nominal lifespan	30000 h
Output current	3,1 A mA
Safety devices against thermal overload	yes
Safety devices against electrical overload	yes

Packing data	
Gross weight	0.5 kg
Length of packaging	65 mm
Packaging width	35 mm
Packaging height	185 mm
Disposal at end of life	<p>This product must not be disposed of with household waste. You are obliged, to dispose of such electrical waste separately.</p> <p>By disposing of electrical waste and other old or defective electronics separately, you support recycling or other forms of re-use. In that way you help to take care and to avoid that harmful substances get into the environment.</p>