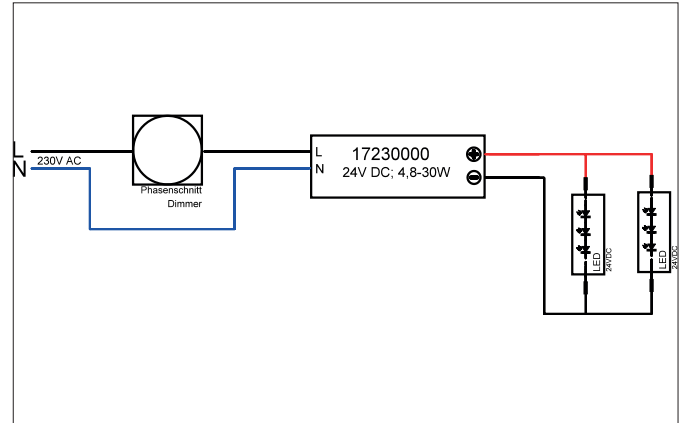




LED power supply 24 V DC, dimmable

Article no. 17230000



Tender

LED power supply 24 V DC, dimmable, white, Rectangular. Material: Plastic, Degree of protection: according to DIN EN 60529 IP20, Protection class: (EN 61140) II, Voltage: 24 V DC, Power: 30 W, Dimmable: Yes, Type of dimming: Trailing-edge phase.

Article data	
Article no.	17230000
GTIN	4251433938163
Short description	LED power supply 24 V DC, dimmable
Material	Plastic
Colour	white
Shape	Rectangular
Length	145 mm
Width	50 mm
Height	22 mm
Weight	0.181 kg
stamp	ENEC
Conformance	CE


LED power supply 24 V DC, dimmable

Article no. 17230000

Operating technology of driver	
AC nominal voltage min	198 V
AC nominal voltage max	264 V
Frequency min	47 Hz
Frequency max	63 Hz
Protection class	II
Degree of protection	IP20
Power	5 W
Power max.	30 W
Output_ripple_current	300
Starting current	20 A, 200 μ s
Suitable for emergency lighting	No
measure point (tc)	85 °C
Power factor	0.95
max. no. lights on B10 A	23
max. no. lights on B16 A	36
Output voltage max	24.00 V
Output voltage min.	24.00 V
Control	Trailing-edge phase
Connection type-primary	Screw-in connection
Connection type-secondary	Screwed terminal
Number of poles	3
Environment temperature (ta)	-10 °C up to +45 °C
Average nominal lifespan	30000 h
Output current	1,25 A mA
Safety devices against thermal overload	yes
Safety devices against electrical overload	yes

Packing data	
Gross weight	0.207 kg
Length of packaging	55 mm
Packaging width	30 mm
Packaging height	15 mm
Disposal at end of life	<p>This product must not be disposed of with household waste. You are obliged, to dispose of such electrical waste separately.</p> <p>By disposing of electrical waste and other old or defective electronics separately, you support recycling or other forms of re-use. In that way you help to take care and to avoid that harmful substances get into the environment.</p>