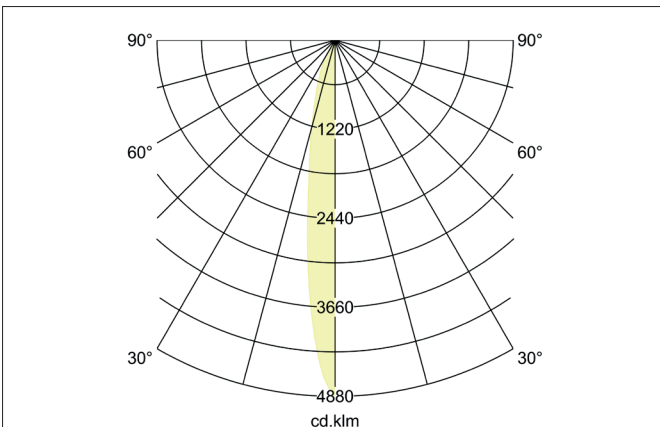
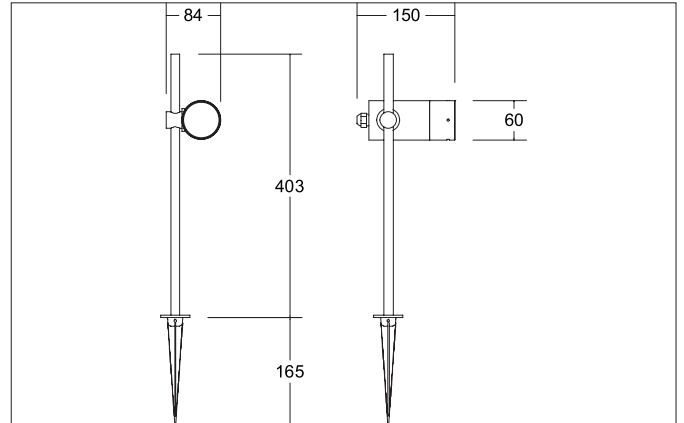




**ASTERIA LED ground spike spotlight, 230 V AC, IP65**  
 Article no. 60113183



**Tender**  
 LED ground spike spotlight, 230 V AC, IP65, Round., Hight 403.0 mm Weight 0.94 kg, Cover glass transparent Luminous flux 500 lm, Power 1 x 8,5 W, Light colour warm white, Correlated color temprature (CCT) 3.200 K, Colour rendering index CRI > 90, Housing material: Aluminium / Glass, Colour: black structure, Permissible ambient temperature (ta): -20 °C up to +25 °C, Protection class (EN 61140): I, Degree of protection (DIN EN 60529): IP65. With electronic driver, on/off switchable.

| Article data      |   |
|-------------------|---|
| Article no.       | 60113183  |
| GTIN              | 4251433926177   |
| Series name       | ASTERIA   |
| Short description | LED ground spike spotlight, 230 V AC, IP65  |
| Material          | Aluminium / Glass   |
| Colour            | black structure   |
| Type of surface   | Structure   |
| Shape             | Round   |
| Hight             | 403 mm  |
| Scope of delivery | Incl. 1500 mm connecting cable and converter for connection to the 230-V mains voltage, height-adjustable luminare head |
| Weight            | 0.94 kg   |
| Conformance       | CE, UKCA  |


**ASTERIA LED ground spike spotlight, 230 V AC, IP65**

Article no. 60113183

| Lighting technology |          |
|---------------------|----------|
| Colour temperature  | 3.200 K  |
| Light colour        | white    |
| Luminous flux       | 500 lm   |
| System efficiency   | 59 lm/W  |
| Colour rendering    | CRI > 90 |
| Beam angle          | 21°      |

| Operating technology of the luminaire |  |
|---------------------------------------|--|
| System output                         | 8.5 W  |
| Voltage type                          | AC   |
| AC nominal voltage max                | 230 V  |
| Frequency max                         | 50 Hz  |
| Lamp                                  | LED  |
| Lamp holder                           | Without fitting  |
| Protection class                      | I  |
| Degree of protection                  | IP65   |
| Control                               | on/off   |
| Bulb change possible                  | The light source of this luminaire may only be replaced by the manufacturer or a service technician commissioned by him or a similarly qualified person. |
| Energy efficiency class               | not required   |

| Mounting technology   |                   |
|-----------------------|-------------------|
| Mounting method       | Surface mounting  |
| Place of installation | Floor-mounted     |
| Adjustability         | Head adjustable   |
| Swivel angle          | 90°               |
| Material cover        | Glass transparent |

| Packing data            |   |
|-------------------------|---|
| Gross weight            | 1.131 kg  |
| Length of packaging     | 140 mm  |
| Packaging width         | 120 mm  |
| Packaging height        | 445 mm  |
| Disposal at end of life | This product must not be disposed of with household waste. You are obliged, to dispose of such electrical waste separately.<br>By disposing of electrical waste and other old or defective electronics separately, you support recycling or other forms of re-use. In that way you help to take care and to avoid that harmful substances get into the environment. |