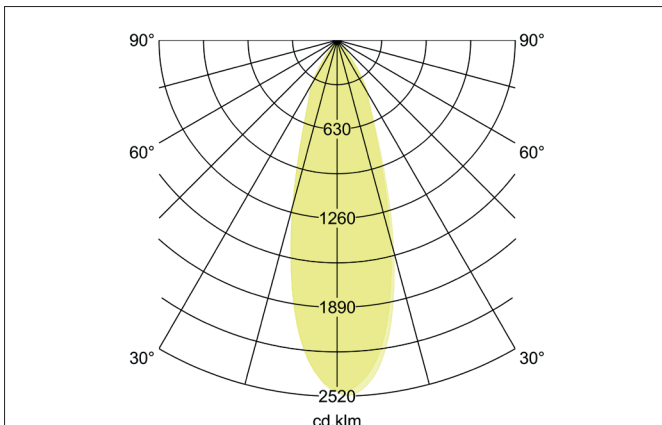
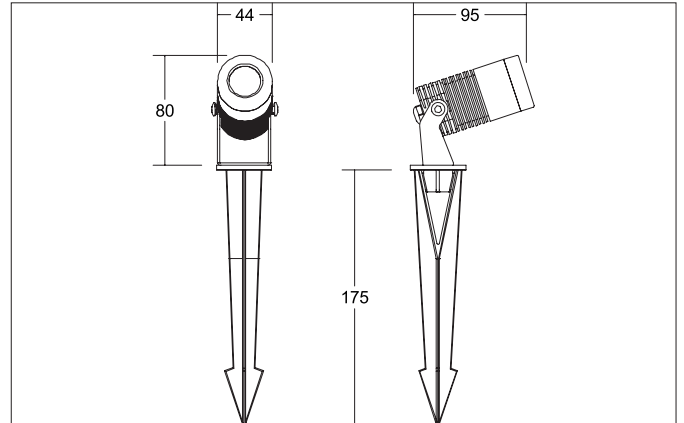




**SPIKE LED ground spike spotlight, 24 V DC, IP67**  
 Article no. 60109643



**Tender**  
 LED ground spike spotlight, 24 V DC, IP67, Round. Luminaire diameter 44.0 mm, Hight 255.0 mm Weight 0.351 kg, Cover glass transparent Luminous flux 640 lm, Power 1 x 8 W, Light colour warm white, Correlated color temperature (CCT) 3.000 K, Colour rendering index CRI > 80, Housing material: Aluminium / Glass, Colour: titanium matt, Permissible ambient temperature (ta): -20 °C up to +25 °C, Protection class (EN 61140): III, Degree of protection (DIN EN 60529): IP67, shock resistance according to IEC62262: IK04 .For connection to an external driver, which is not included in the scope of delivery of the luminaire. on/off switchable.

Article data	
Article no.	60109643
GTIN	4251433926252
Series name	SPIKE
Short description	LED ground spike spotlight, 24 V DC, IP67
Material	Aluminium / Glass
Colour	titanium matt
Shape	Round
Outer diameter	44 mm
Width	95 mm
Height	255 mm
Scope of delivery	Including 1,000 mm connecting cable with Aquastop
Weight	0.351 kg
Conformance	CE, UKCA


**SPIKE LED ground spike spotlight, 24 V DC, IP67**

Article no. 60109643

Lighting technology	
Colour temperature	3.000 K
Light colour	white
Luminous flux	640 lm
System efficiency	80 lm/W
Colour rendering	CRI > 80
Beam angle	38°
Adjustable color temperature	No

Operating technology of the luminaire	
System output	8 W
Voltage type	DC
Lamp	LED
Lamp holder	Without fitting
Protection class	III
Degree of protection	IP67
Control	Depending on driver, on/off
Bulb change possible	The light source of this luminaire may only be replaced by the manufacturer or a service technician commissioned by him or a similarly qualified person.
Energy efficiency class	not required

Mounting technology	
Mounting method	Surface mounting
Place of installation	Floor-mounted
Adjustability	Head adjustable
Swivel angle	90°
Rotation angle	355°
Impact resistance	IK04
Material cover	Glass transparent

Packing data	
Gross weight	0.408 kg
Length of packaging	180 mm
Packaging width	95 mm
Packaging height	55 mm
Disposal at end of life	This product must not be disposed of with household waste. You are obliged, to dispose of such electrical waste separately. By disposing of electrical waste and other old or defective electronics separately, you support recycling or other forms of re-use. In that way you help to take care and to avoid that harmful substances get into the environment.

Required accessories	
Article no.: 17207000	
LED power supply 24 V DC, on/off switchable	
Power: 1 - 30 W	
Dimensions: 160 mm x 50 mm x 22 mm	
<a href="https://www.brumberg.com/fileadmin/products/Datenblatt_17207000_2021_DE.pdf">https://www.brumberg.com/fileadmin/products/Datenblatt_17207000_2021_DE.pdf</a>	