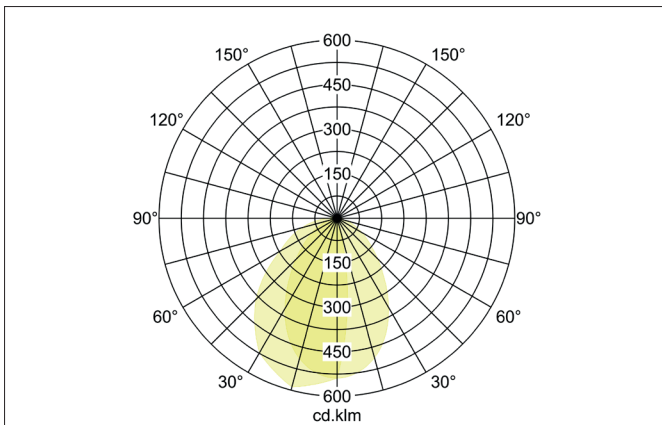
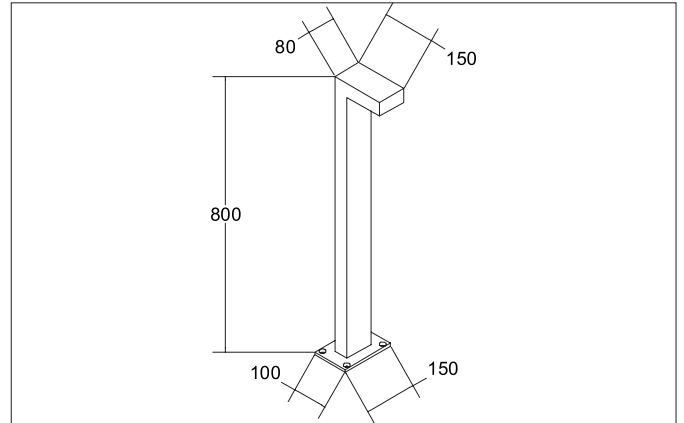




LANTERN LED bollard light, IP65, height 800 mm
 Article no. 60036103



Tender
 LED bollard light, IP65, height 800 mm, Other.Luminaire length 150.0 mm, Luminaire width 80.0 mm, Hight 800.0 mm Weight 2.664 kg, asymmetric Cover glass transparentLuminous flux 520 lm, Power 1 x 9 W, Light colour warm white, Correlated color temperature (CCT) 3.000 K, Colour rendering index CRI > 80, Housing material: Aluminium / Glass, Colour: graphite structure, Permissible ambient temperature (ta): -20 °C up to +50 °C, Protection class (EN 61140): I, Degree of protection (DIN EN 60529): IP65. With electronic driver, on/off switchable.

Article data	
Article no.	60036103
GTIN	4251433948773
Series name	LANTERN
Short description	LED bollard light, IP65, height 800 mm
Material	Aluminium / Glass
Colour	graphite structure
Type of surface	Matt
Shape	Other
Length	150 mm
Width	80 mm
Hight	800 mm
Scope of delivery	Incl. converter for connection to the 230-V mains voltage, on/off switchable and 500 mm connecting cable
Weight	2.664 kg
D licence plate	No
Conformance	CE, UKCA


LANTERN LED bollard light, IP65, height 800 mm

Article no. 60036103

Lighting technology	
Colour temperature	3.000 K
Light colour	white
Light output	Direct
Luminous flux	520 lm
System efficiency	58 lm/W
Colour rendering	CRI > 80
Beam angle	71°
Light sharing	Asymmetric
Adjustable color temperature	No

Operating technology of the luminaire	
System output	9 W
Voltage type	AC
AC nominal voltage max	230 V
Frequency max	50 Hz
Lamp	LED
Lamp holder	Without fitting
Protection class	I
Degree of protection	IP65
Ambient temperature	-20°C up to +50°C
Dimmable	No
Control	on/off
Bulb change possible	The light source of this luminaire may only be replaced by the manufacturer or a service technician commissioned by him or a similarly qualified person.
Energy efficiency class	not required

Mounting technology	
Mounting method	Surface mounting
Place of installation	Floor-mounted
Adjustability	Not adjustable
Material cover	Glass transparent

Packing data	
Gross weight	3.656 kg
Length of packaging	250 mm
Packaging width	880 mm
Packaging height	200 mm
Disposal at end of life	This product must not be disposed of with household waste. You are obliged, to dispose of such electrical waste separately. By disposing of electrical waste and other old or defective electronics separately, you support recycling or other forms of re-use. In that way you help to take care and to avoid that harmful substances get into the environment.