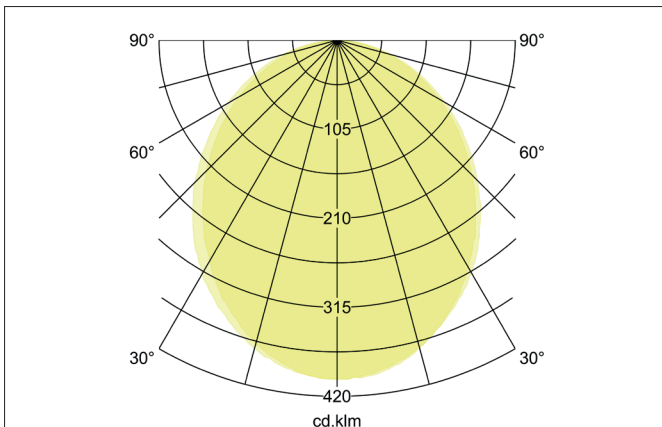
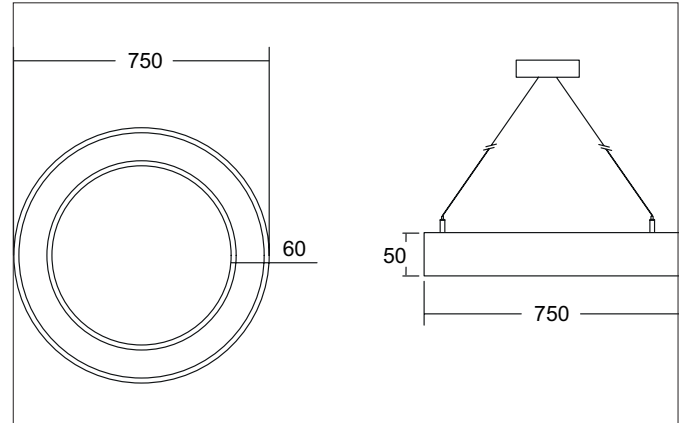
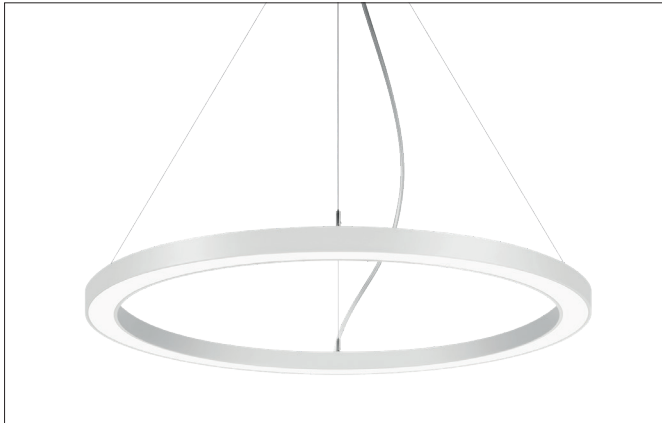




BIRO CIRCLE LED pendant ring luminaire, direct, dimmable
Article no. 13831178



Tender
LED pendant ring luminaire, direct, dimmable, Round. Luminaire diameter 750.0 mm, Height 50.0 mm, for pendulum mounting. Pendulum length max. 5000.0 mm Weight 6.0 kg, with rotationssymmetrical, deep, wide distributed light intensity. Cover plastic, opal Luminous flux 5.078 - 5.248 lm, Power 1 x 55 W, Light colour warm white to daylight white, Correlated color temperature (CCT) 2.700 - 6.500 K, Colour rendering index CRI > 90, Rated life time L70/B50 at 25 °C: 276.000 h, Rated life time L80/B20 at 25 °C: 153.000 h, Housing material: Aluminium / Steel / Plastic, Colour: white structure, Permissible ambient temperature (ta): -20 °C up to +25 °C, Protection class (EN 61140): I, Degree of protection (DIN EN 60529): IP20. With electronic driver, DALI-DT8 dimmable.

| Article data | |
|-------------------------------|---|
| Article no. | 13831178 |
| GTIN | 4251433966111 |
| Series name | BIRO CIRCLE |
| Short description | LED pendant ring luminaire, direct, dimmable |
| Material | Aluminium / Steel / Plastic |
| Colour | white structure |
| Type of surface | Structure |
| Shape | Round |
| Outer diameter | 750 mm |
| Height | 50 mm |
| Scope of delivery | incl. converter for connection to 230 V mains voltage |
| Weight | 6 kg |
| Length of the connection line | 5,000 mm |
| D licence plate | No |
| Conformance | CE, UKCA |


BIRO CIRCLE LED pendant ring luminaire, direct, dimmable

Article no. 13831178

| Lighting technology | |
|------------------------------|-------------------|
| Colour temperature | 2.700 K - 6.500 K |
| Light colour | white |
| Color Temperature 1 | 2,700 K |
| Color Temperature 2 | 6,500 K |
| Light output | Direct |
| Luminous flux | 5,078 - 5,248 lm |
| Luminous flux 1 | 5,078 lm |
| Luminous flux 2 | 5,248 lm |
| System efficiency | 95 lm/W |
| McAdam-Step | McAdam-Step 3 |
| Colour rendering | CRI > 90 |
| Reflector | Without |
| Beam angle | 110° |
| Light sharing | Symmetric |
| Adjustable color temperature | No |

| Operating technology of the luminaire | |
|---------------------------------------|--|
| System output | 55 W |
| Voltage type | AC/DC |
| AC nominal voltage max | 230 V |
| Frequency max | 50 Hz |
| Lamp | LED |
| Lamp holder | Without fitting |
| Protection class | I |
| Degree of protection | IP20 |
| Dimmable | Yes |
| Control | DALI-DT8 |
| Length of the connection line | 5,000 mm |
| Bulb change possible | The light source of this luminaire may only be replaced by the manufacturer or a service technician commissioned by him or a similarly qualified person. |
| Rated life time L70/B50 at 25 °C | 276,000 h |
| Rated life time L80/B20 at 25 °C | 153.000 h |
| Rated life time L90/B10 at 25 °C | 74.000 h |
| Energy efficiency class | not required |

| Mounting technology | |
|----------------------------------|-----------------|
| Mounting method | Suspended |
| Place of installation | Ceiling-mounted |
| Adjustability | Not adjustable |
| Pendulum length max. | 5,000 mm |
| Pendant length single suspension | 500 - 5.000 mm |
| Pendulum length centre canopy | 1000 - 10000 mm |
| Number of cable suspensions | 3 |
| Material cover | Plastic, opal |

| Packing data | |
|-------------------------|---|
| Gross weight | 7 kg |
| Length of packaging | 780 mm |
| Packaging width | 780 mm |
| Packaging height | 60 mm |
| Disposal at end of life | This product must not be disposed of with household waste. You are obliged, to dispose of such electrical waste separately. By disposing of electrical waste and other old or defective electronics separately, you support recycling or other forms of re-use. In that way you help to take care and to avoid that harmful substances get into the environment. |